

ICOM

INSTRUCTION MANUAL

VHF MARINE TRANSCEIVER **IC-M125**



Icom Inc.

IMPORTANT

READ ALL INSTRUCTIONS carefully and completely before using the transceiver.

SAVE THIS INSTRUCTION MANUAL – This instruction manual contains important safety and operating instructions for the IC-M125.

EXPLICIT DEFINITIONS

The following explicit definitions apply to this instruction manual.

WORD	DEFINITION
CAUTION	Equipment damage may occur.
NOTE	If disregarded, inconvenience only. No personal injury, risk of fire or electric shock.

CAUTIONS

NEVER connect the transceiver to more than a 16 V DC power source or an AC outlet. This will ruin the transceiver.

NEVER allow children to touch the transceiver.

AVOID using or placing the transceiver in direct sunlight or in areas with temperatures below -20°C (-4°F) or over $+60^{\circ}\text{C}$ ($+140^{\circ}\text{F}$).

KEEP the antenna cable and DC power cable as far away as possible from electrical pumps, generators and other electronic instruments to prevent instrument malfunctions.

KEEP the transceiver and microphone at least 1 meter away from the vessel's magnetic navigation compass.

BE CAREFUL! The heatsink may become hot when the transceiver transmits continuously for a long time.

DO NOT use any thing other than your fingertips to push the front panel switches, as the switches could be damaged.

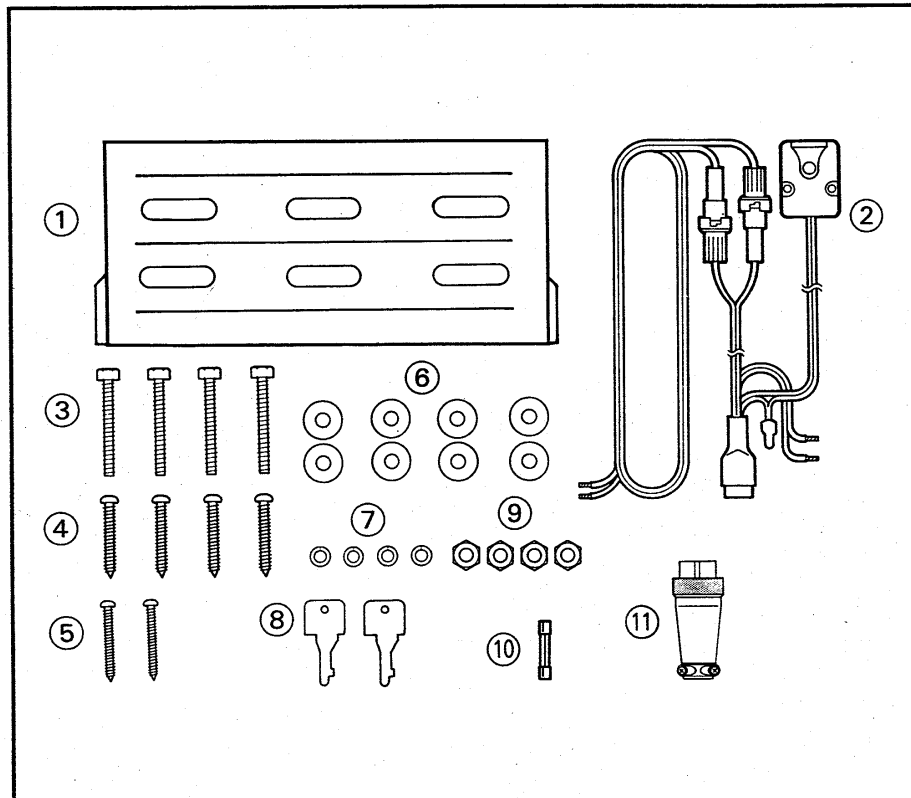
TABLE OF CONTENTS

IMPORTANT	i		
EXPLICIT DEFINITIONS	i		
CAUTIONS	i		
TABLE OF CONTENTS	ii		
UNPACKING	iii		
1 OPERATING RULES	1		
2 PANEL DESCRIPTION	2 ~ 6		
■ Front panel	2		
■ Function display	4		
■ Rear panel	6		
3 INSTALLATION AND CONNECTIONS	7 ~ 9		
■ Mounting the transceiver	7		
■ Antenna	7		
■ Connections	8		
4 BASIC OPERATION	10 ~ 13		
■ Selecting a channel	10		
■ Selecting channel 16	10		
■ Mode types	11		
■ Receiving	12		
■ Transmitting	12		
5 FUNCTION OPERATION	14 ~ 25		
■ Memory mode operation	14		
■ Scan operation	16		
■ Weather alert	18		
■ Dualwatch	19		
■ Backlight intensity	20		
■ Internal speaker OFF	20		
■ Hailer operation	21		
■ Intercom operation	22		
■ Automatic fog horn	24		
■ Voice scrambler (optional)	25		
6 MAINTENANCE	26		
■ Resetting the CPU	26		
■ Cleaning	26		
■ Fuse replacement	26		
■ Backup battery	26		
7 TROUBLESHOOTING	27		
8 VHF MARINE CHANNEL LIST	28 ~ 29		
9 SPECIFICATIONS	30		
IN CASE OF EMERGENCY	31		
OPTIONS	31		

UNPACKING

After unpacking, immediately report any damage to the delivering carrier or dealer. It is recommended you keep the shipping cartons.

This set includes the following accessories with the transceiver main body and the microphone.



① Mounting bracket	1
② DC power cable with microphone hanger*	1
③ Mounting bolts (M6 x 50)	4
④ Mounting screws (A0 6 x 30)	4
⑤ Microphone hanger screws (A0 3.5 x 30)	2
⑥ Flat washers (M6)	8
⑦ Spring washers (M6)	4
⑧ Mounting bracket keys	2
⑨ Nuts (M6)	4
⑩ Fuse (10 A)	1
⑪ ACC connector plug	1

* Black model : OPC-291
 White model : OPC-291A

• PRIORITIES

- 1) Read all rules and regulations pertaining to priorities and keep an up-to-date copy handy. Safety and distress calls take priority over all others.
- 2) You must monitor channel 16 when you are not operating on another channel.
- 3) False or fraudulent distress signals are prohibited under law.

• PRIVACY

- 1) Information overheard but not intended for you cannot lawfully be used in any way.
- 2) Indecent or profane language is prohibited.

• RADIO LICENSES

(1) SHIP STATION LICENSE

When your craft is equipped with a VHF FM transceiver, you must have a current radio station license before using the transceiver. It is unlawful to operate a ship station which is not licensed.

Inquire through your dealer or the appropriate government agency for a Ship-Radiotelephone license. This license includes the call sign which is your craft's identification for radio purposes.

(2) OPERATOR'S LICENSE

A Restricted Radiotelephone Operator Permit is the license most often held by small vessel radio operators when a radio is not required for safety purposes. You can usually obtain this permit by mail.

The Restricted Radiotelephone Operator Permit must be posted near the transceiver or be kept with the operator. Only a licensed radio operator may operate a transceiver.

However, non-licensed individuals may talk over a transceiver if a licensed operator starts, supervises, ends the call and makes the necessary log entries.

A current copy of the applicable government rules and regulations is usually required to be on hand.

■ Front panel

LOCKOUT SCAN SWITCH [L-SCAN](SCAN)

- Activates lockout scan. (p. 17)
- Activates full scan as the secondary function. (p. 17)

INTERCOM SWITCH [INCOM](SCRM)

- Activates the intercom function. (p. 22)
- Activates the voice scrambler as the secondary function. (p. 25)
 - An optional unit is necessary.

HAILER SWITCH [HAILER](A.FOG)

- Activates the hailer function. (p. 21)
- Activates an auto fog horn as the secondary function. (p. 24)

FUNCTION SWITCH [F]

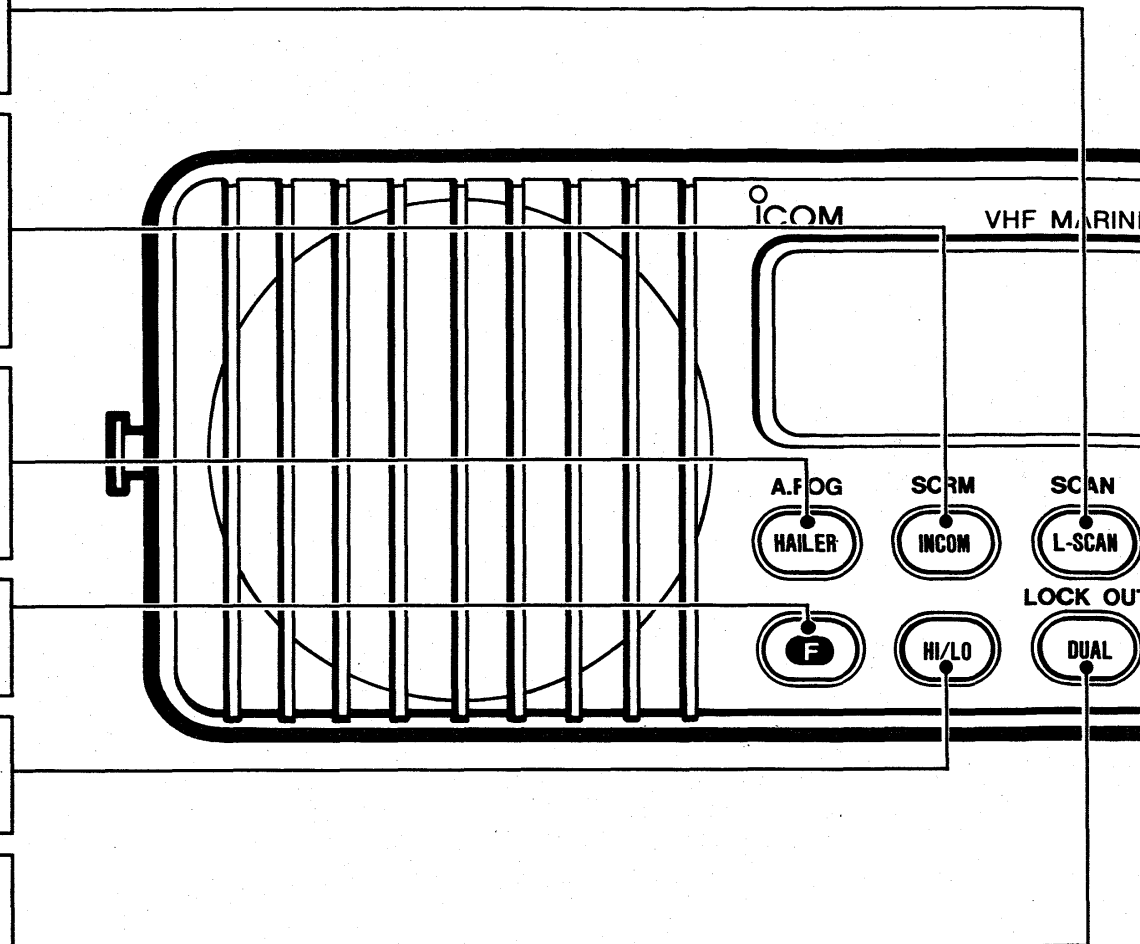
Activates the secondary function of some switches.

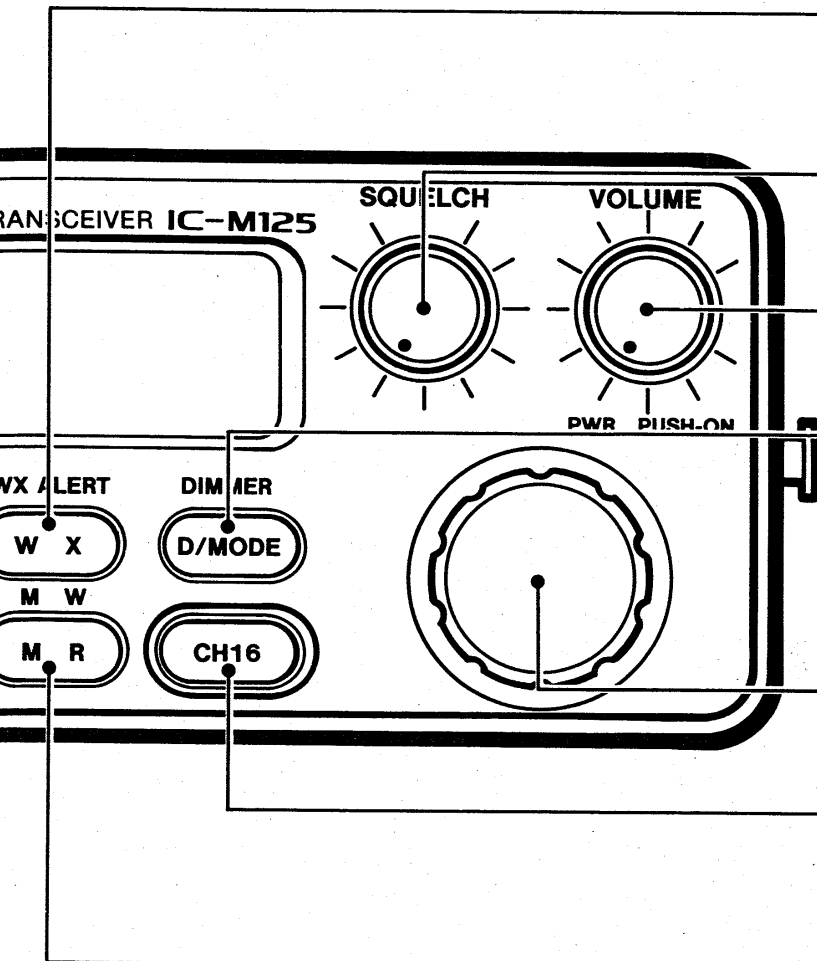
POWER HIGH/LOW SWITCH [HI/LO]

Selects high or low output power. (p. 12)

DUALWATCH SWITCH [DUAL](LOCK OUT)

- Activates the dualwatch function. (p. 19)
- Locks out the selected channel as the secondary function. (p. 17)





WEATHER MODE SWITCH [WX](WX ALERT)
 - Selects the weather mode. (p. 11)
 - Turns the weather alert ON and OFF as the secondary function. (p. 18)

SQUELCH CONTROL [SQUELCH]
 - Rotate clockwise to eliminate audio noise. (p. 12)
 - Activates the built-in attenuator when rotated far clockwise.

VOLUME CONTROL [VOLUME](PWR PUSH-ON)
 - Push to turn power ON and OFF. (p. 12)
 - Rotate to adjust the audio output level. (p. 12)

DIAL/MODE SWITCH [D/MODE](DIMMER)
 - Selects the dial mode.(p. 11)
 - Selects USA or international channels alternately. (p. 11)
 - Turns the backlighting ON and OFF, and changes its intensity as the secondary function. (p. 20)

CHANNEL SELECTOR
 Selects an operating channel. (p. 10)

CHANNEL 16 SWITCH [CH16]
 Selects the channel 16 mode. (p. 10)

MEMORY MODE SWITCH [MR](MW)
 - Selects the memory mode. (p. 14)
 - Selects the memory programming condition as the secondary function. (p. 15)

2 PANEL DESCRIPTION

■ Function display

WEATHER ALERT FUNCTION INDICATOR

Shows the weather alert function is activated. (p. 18)

LOW POWER INDICATOR

Shows that low output power is selected. (p. 12)

TX INDICATOR

Appears while transmitting. (p. 12)

S/RF INDICATOR

- Shows the relative signal strength while receiving. (p. 12)
- Shows high, or low output power selection while transmitting. (p. 12)

FUNCTION INDICATOR

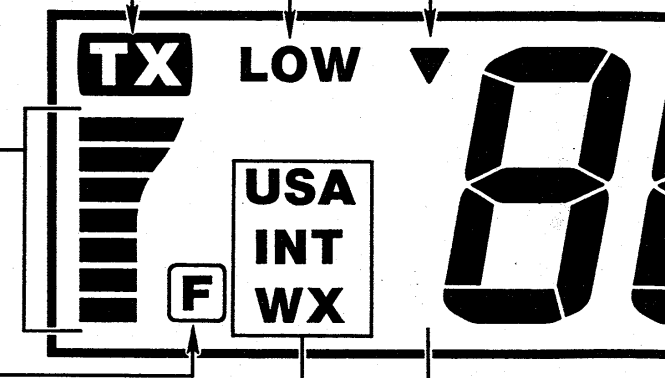
Appears when [FUNC] is pushed, and indicates a secondary function can be activated.

MODE INDICATORS

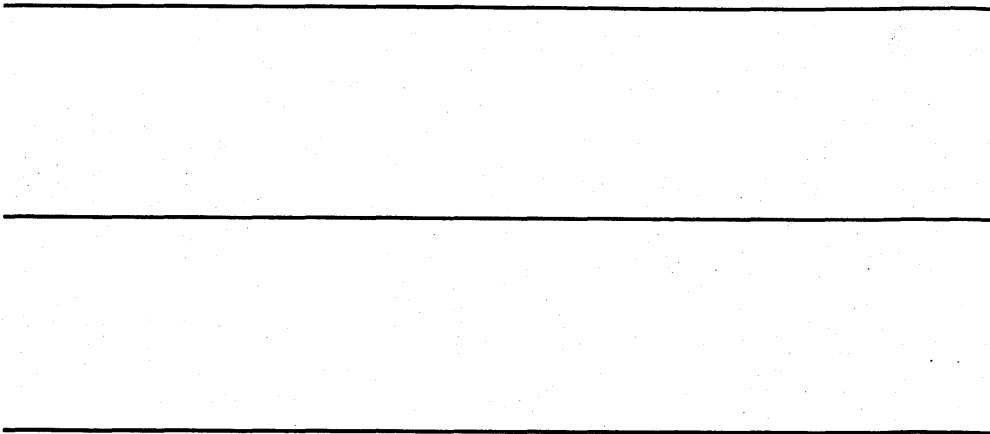
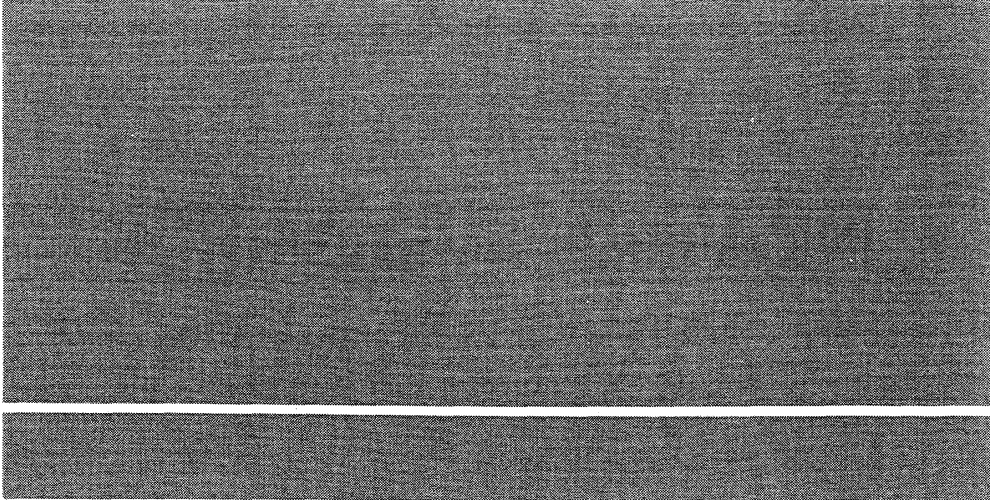
- "USA" shows the dial mode (USA) is selected. (p. 11)
- "INT" shows the dial mode (international) is selected. (p. 11)
- "WX" shows the weather mode is selected. (p. 11)
- No indicator appears when the channel 16 mode is selected. (p. 11)

CHANNEL INDICATOR

Shows the operating channel.



Count on us!



A-5199S-1US-①
Printed in Japan
Copyright © 1992 by Icom Inc.

Icom Inc.
6-9-16, Kamihigashi, Hirano-ku, Osaka 547, Japan