



IC-A20

VHF
AIR BAND
TRANSCEIVER



OWNER'S MANUAL

FOREWORD

Thank you for choosing the **IC-A20 VHF AIR BAND TRANSCEIVER**. The **IC-A20** is designed with the latest computer technology and precision VHF engineering at ICOM, and has the following advanced features:

- VOR reception for navigation systems
- Weatherproof and dust-tight case with molded frame design
- 5W PEP (typical) output power
- 16 user-programmable memory channels
- 720 COM channels and 200 NAV channels

Please read this owner's manual carefully before using your **IC-A20** transceiver. With proper care, the **IC-A20** will provide years of dependable and enjoyable communication.

UNPACKING

Accessories	Qty.
① CM-7G BATTERY PACK	1
② CM-16U WALL CHARGER	1
③ Flexible antenna	1
④ Rainproof cap	1
⑤ DC power plug	1
⑥ Microphone plug	1
⑦ Earphone plug	1
⑧ Belt clip mounting screws	2
⑨ Belt clip mounting washers	2
⑩ IC-CM1 CIGARETTE LIGHTER CABLE	1
⑪ Belt clip	1
⑫ Earphone	1
⑬ Carrying case	1

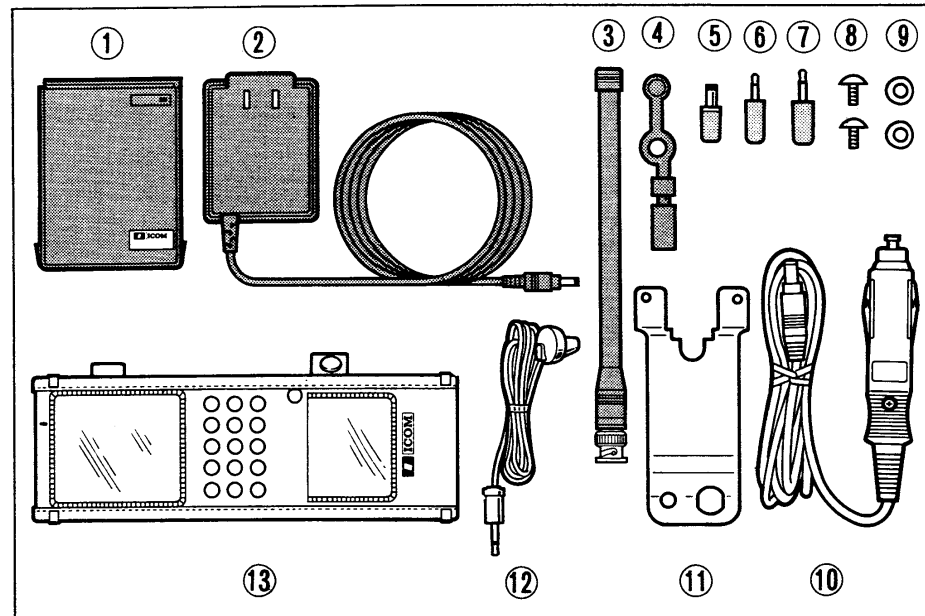
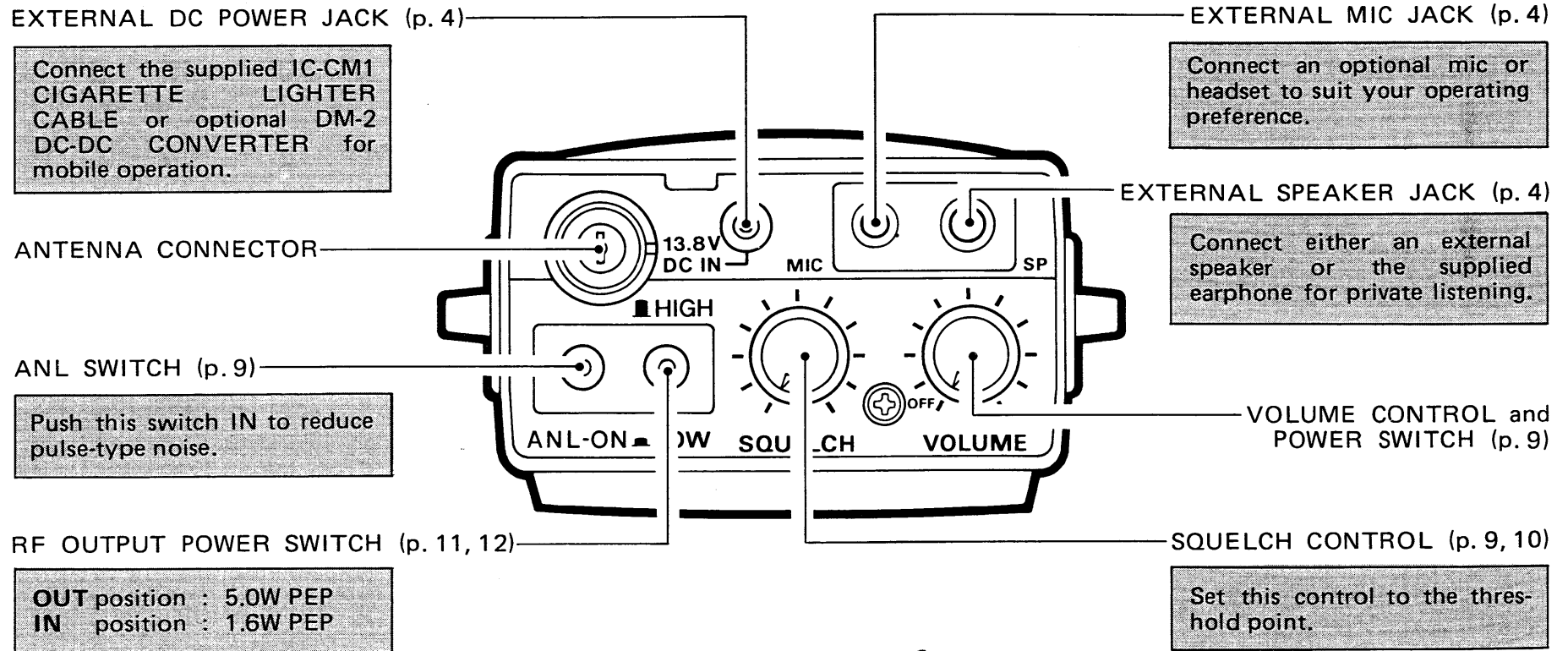


TABLE OF CONTENTS

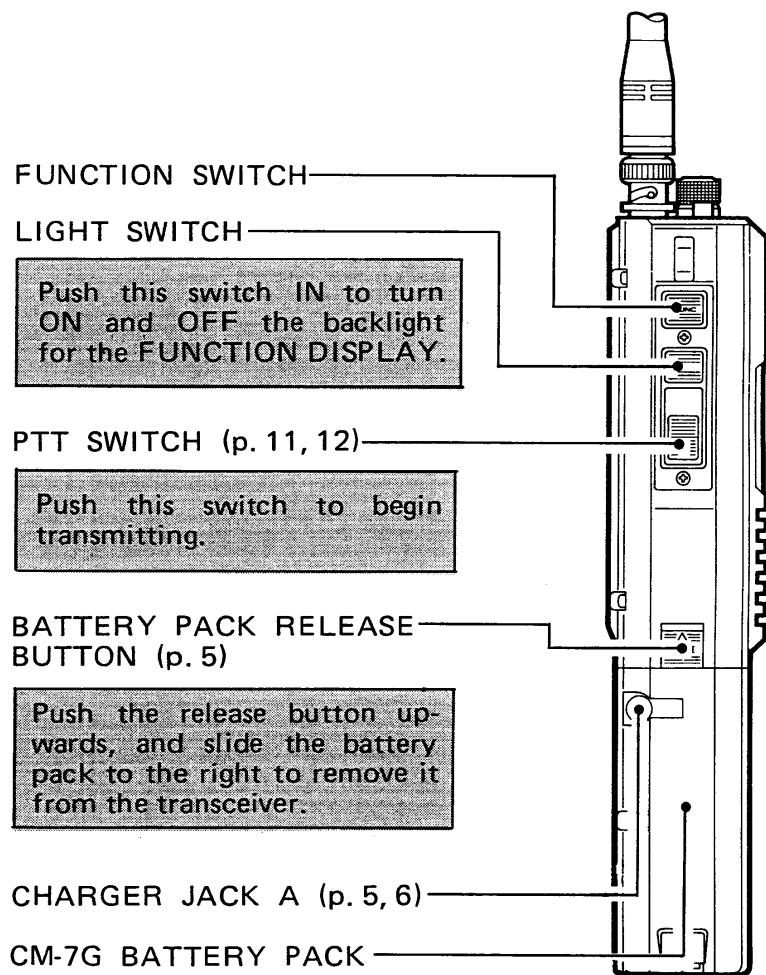
1. CONTROL FUNCTIONS.....	1 ~ 3	5. SCANNING OPERATION.....	15 ~ 18
TOP PANEL.....	1	OPERATING FULL SCAN.....	15
SIDE PANEL.....	2	OPERATING MEMORY SCAN.....	16
FRONT PANEL.....	2	OPERATING LOCKOUT SCAN.....	17
FUNCTION DISPLAY.....	3		
2. PRE-OPERATION.....	4 ~ 6	6. DUPLEX OPERATION.....	19 ~ 20
OPERATING CONNECTIONS.....	4	PROGRAMMING DUPLEX MODE.....	19
CHARGING CONNECTIONS.....	5	OPERATING DUPLEX MODE.....	20
BATTERY CHARGING.....	6		
3. BASIC OPERATION.....	7 ~ 12	7. VOR NAVIGATION.....	21 ~ 26
SETTING FREQUENCY.....	7	VOR INDICATORS.....	21
RECEIVING.....	9	FLYING TO A VOR STATION.....	23
TRANSMITTING.....	11	CROSSCHECKING POSITION.....	25
		VOR INDICATOR NOTE.....	25
4. MEMORY CHANNEL		8. OTHER FUNCTIONS.....	27 ~ 28
OPERATION.....	13 ~ 14	KEY LOCK FUNCTION.....	27
RECALLING A MEMORY CHANNEL.....	13	BEEP TONE FUNCTION.....	27
PROGRAMMING A MEMORY CHANNEL..	13	RESETTING MICROPROCESSOR.....	27
		9. OPTIONS.....	29 ~ 30
		10. SPECIFICATIONS.....	31

1. CONTROL FUNCTIONS

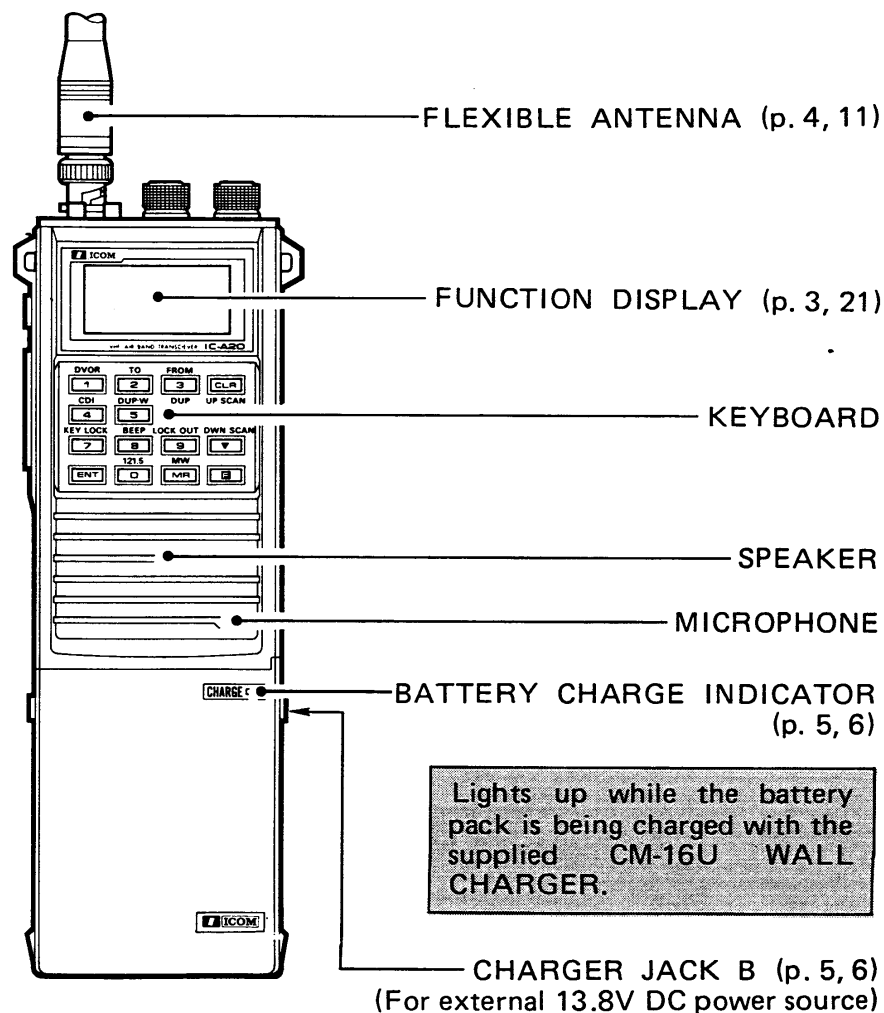
TOP PANEL



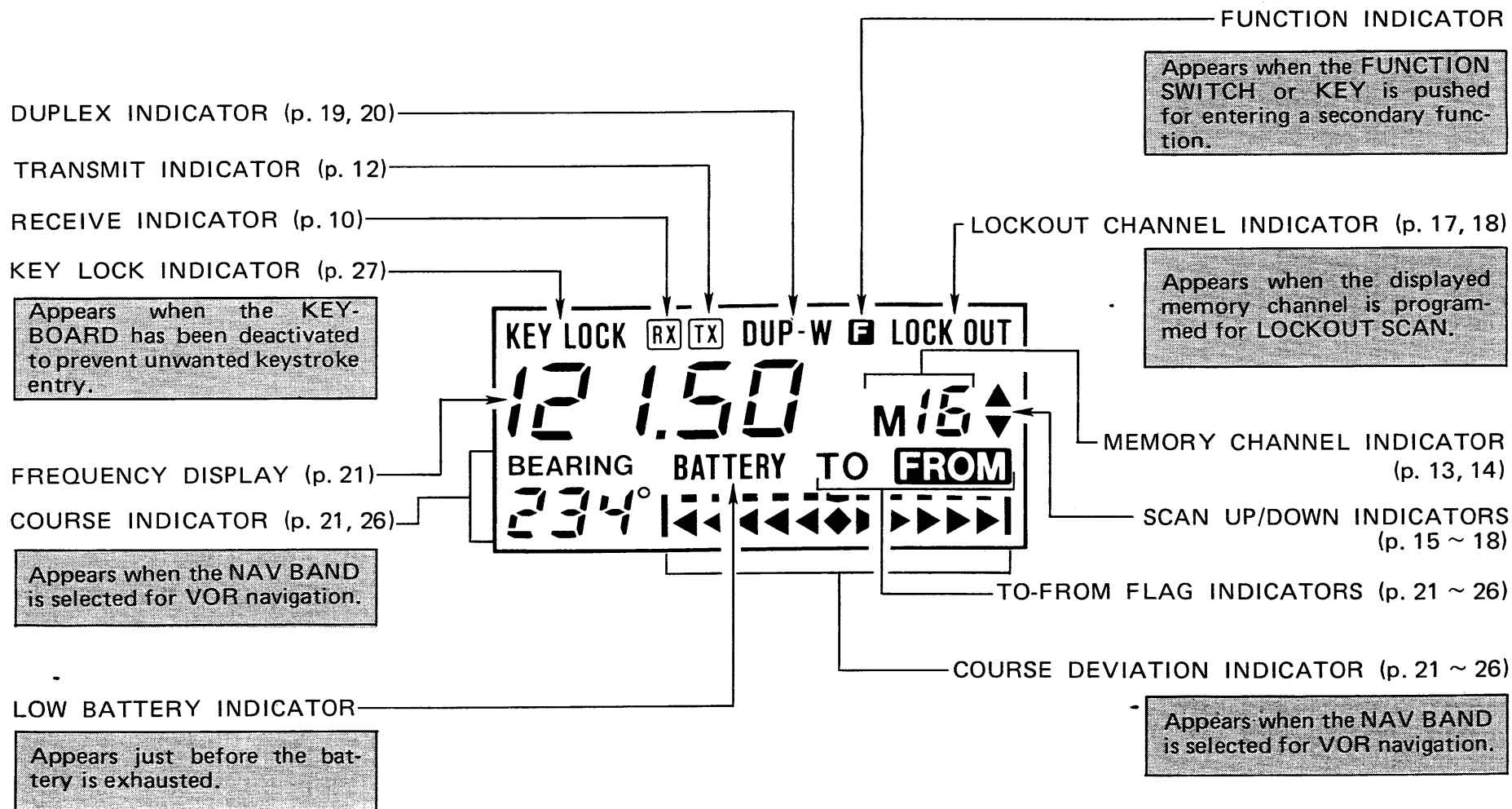
SIDE PANEL



FRONT PANEL



FUNCTION DISPLAY





ICOM INCORPORATED

1-6-19, KAMIKURATSUKURI, HIRANO-KU,
OSAKA 547, JAPAN

A-0936 A
Printed in Japan