

ICOM

INSTRUCTION MANUAL

UHF FM TRANSCEIVER

IC-449A
IC-449E



Icom Inc.

IMPORTANT

- (1) **READ THIS INSTRUCTION MANUAL CAREFULLY** before attempting operation. If you have any questions regarding operation, feel free to contact your nearest authorized Icom Dealer or Service Center.
- (2) **SAVE THIS INSTRUCTION MANUAL.** This instruction manual contains important safety and operating instructions for the IC-449A/E.

FOREWORD

Thank you for choosing the **IC-449A/E UHF FM TRANSCEIVER.**

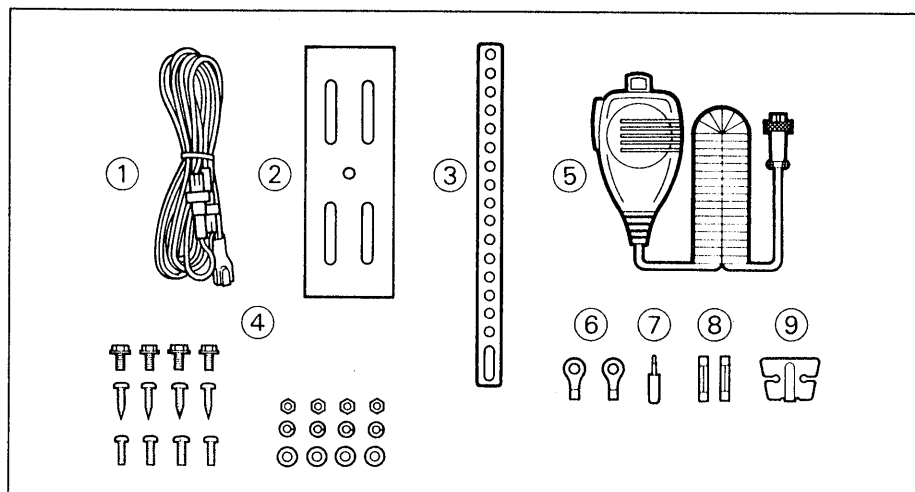
This compact transceiver has numerous advanced functions and a vivid front panel with modern design that allows you easy operation while driving.

In this instruction manual, the display diagrams use the 440 MHz band frequencies of the U.S.A. version. Please note that 430 MHz band frequencies appear for other versions.

CAUTIONS

- (1) **NEVER** connect the transceiver to an AC outlet. This will ruin the transceiver.
- (2) **NEVER** connect more than 16 V DC power to the transceiver. Check the source voltage before connecting the power cable.
- (3) **NEVER** place the transceiver where normal operation of the vehicle may be hindered or where it could cause bodily injury.
- (4) **NEVER** allow children to touch the transceiver.
- (5) **DO NOT** install the transceiver where hot or cold air blows directly on it.
- (6) **DO NOT** use or place the transceiver in areas with temperatures below -10°C ($+14^{\circ}\text{F}$) or over $+60^{\circ}\text{C}$ ($+140^{\circ}\text{F}$), or in areas of direct sunlight, such as on the dashboard.
- (7) **BE CAREFUL!** The heatsink may become hot when operating the transceiver for long periods.

UNPACKING



Qty.

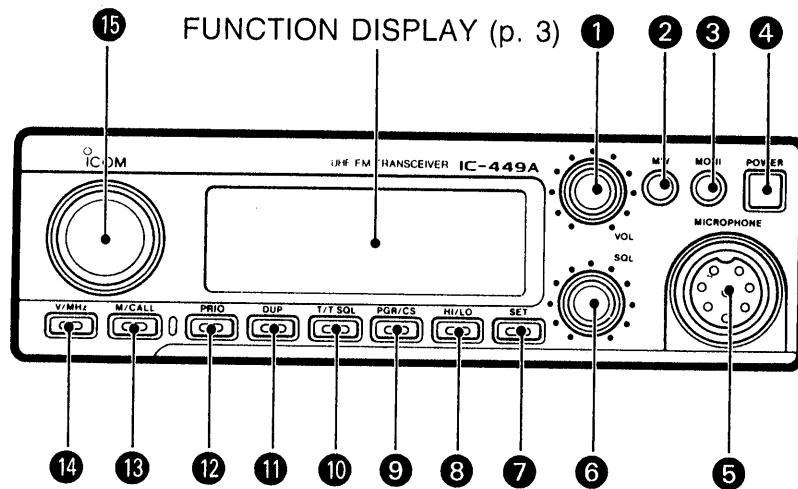
① DC power cable (OPC-044B).....	1
② Mobile mounting bracket (MB-27).....	1
③ Support bracket	1
④ Screws, washers and nuts	1 set
⑤ Microphone*	1
⑥ Cable lugs	2
⑦ External speaker plug	1
⑧ Fuses (15 A).....	2
⑨ Microphone hanger	1

* U.S.A. version	:	HM-56
Australia version	:	HM-58
Europe version	:	HM-59

TABLE OF CONTENTS

IMPORTANT	i
FOREWORD	i
CAUTIONS	i
UNPACKING.....	ii
TABLE OF CONTENTS	ii
1. PANEL DESCRIPTION	1 ~ 6
2. INSTALLATION	7 ~ 9
3. MODE TYPES	10 ~ 11
4. BASIC OPERATIONS	12 ~ 15
5. PROGRAMMABLE REMOTE CONTROL FUNCTION	16
6. MEMORY AND CALL CHANNELS	17 ~ 20
7. SCAN FUNCTIONS	21 ~ 22
8. PRIORITY WATCH	23 ~ 24
9. HM-56 ADVANCED FUNCTIONS	25 ~ 28
10. SET MODE.....	29 ~ 33
11. OPTIONAL FUNCTIONS	34 ~ 40
12. TROUBLESHOOTING.....	41
13. MAINTENANCE	42
14. SPECIFICATIONS.....	43
15. OPTIONS.....	44

Front panel



① VOLUME CONTROL [VOL]

Adjusts the audio output level. (p. 13)

② MEMORY WRITE SWITCH [MW]

- Programs a memory channel. (p. 17)
- Programs a call channel. (p. 20)
- Transfers the contents of a memory or call channel to the VFO. (p. 18)

③ MONITOR SWITCH [MONI]

- Opens the squelch while being pushed. (p. 13)
- During repeater operation, receives repeater input frequency while being pushed. (p. 15)

④ POWER SWITCH [POWER]

Turns the transceiver power ON and OFF. (p. 12)

⑤ MICROPHONE CONNECTOR [MICROPHONE]

Connects the supplied microphone or another suitable microphone. (p. 4)

The optional SM-6, SM-8 DESKTOP MICROPHONES, HS-15 FLEXIBLE MOBILE MICROPHONE and HS-15SB SWITCHBOX are available. (p. 44)

⑥ SQUELCH CONTROL [SQL]

Adjusts the squelch threshold level. (p. 13)

7 SET MODE SWITCH [SET]

- Selects SET mode and advances SET mode displays. (p. 29)
- Deactivates the tuning control and some switches when pushed and held. (p. 13)

8 TRANSMIT POWER SWITCH [HI/LO]

- Selects transmit output power. (p. 14)
- Reverses the SET mode display. (p. 29)

9 PAGER/CODE SQUELCH SWITCH [PGR/CS]

Activates the optional pager or code squelch function. (pgs. 38 ~ 40)

10 TONE SWITCH [T/T.SQL]

- Activates the subaudible tone encoder function.* (pgs. 15, 36)
- Activates the optional pocket beep or tone squelch function. (pgs. 35, 36)

* U.S.A. version : Built-in
Other versions : Optional

11 DUPLEX SWITCH [DUP]

- Selects simplex, – duplex or + duplex. (p. 15)
- Selects the memory split function. (p. 19)

12 PRIORITY SWITCH [PRIO]

Activates and cancels priority watch. (pgs. 23, 24)

13 MEMORY/CALL CHANNEL SWITCH [M/CALL]

- Selects MEMORY mode. (p. 17)
- Selects CALL CHANNEL mode. (p. 20)

14 VFO/MHz SWITCH [V/MHz]

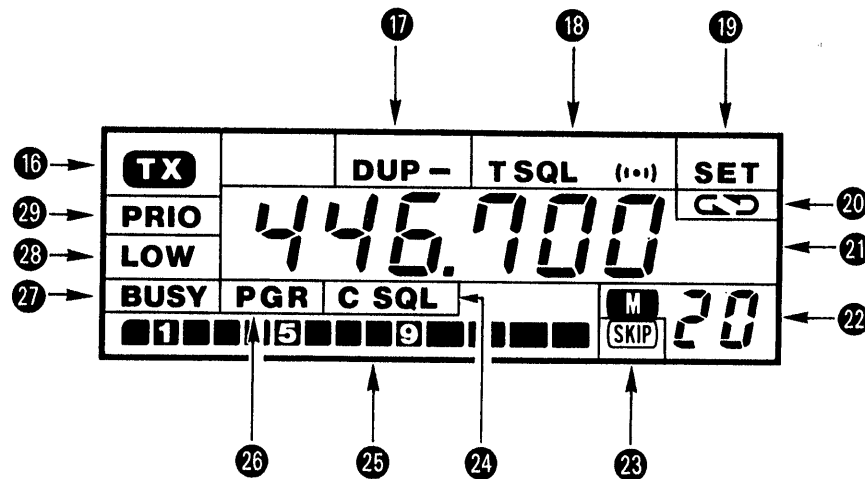
- Selects VFO mode. (p. 12)
- Selects 1 MHz tuning steps. (p. 12)

15 TUNING CONTROL

- Changes the operating frequency. (p. 12)
- Changes the memory channel. (p. 17)
- Changes contents of SET mode displays. (pgs. 29 ~ 33)

1 PANEL DESCRIPTION

■ Function display



16 TRANSMIT INDICATOR

Appears while transmitting. (p. 14)

17 DUPLEX INDICATOR

- "DUP -" appears when - duplex is selected. (p. 15)
- "DUP" appears when + duplex is selected. (p. 15)

18 TONE INDICATOR

- "T" appears when the subaudible tone encoder function* is activated. (pgs. 15, 35)
- "T SQL (...)" appears when the optional pocket beep function is activated. (p. 35)
- "T SQL" appears when the optional tone squelch function is activated. (p. 36)

*U.S.A. version : Built-in
Other versions : Optional

19 SET INDICATOR

Appears when SET mode is selected. (p. 29)

20 MEMORY SPLIT INDICATOR

Appears when a memory channel with the memory split function is selected. (p. 19)

21 FREQUENCY READOUT

Displays the operating frequency.

22 MEMORY INDICATOR AND MEMORY CHANNEL READOUT

- A memory channel number or small “c” appears while in VFO mode.
- “L” appears when the lock function is activated. (p. 13)
- “M” and memory channel number appear while in MEMORY mode. (p. 17)
- Large “C” appears while in CALL CHANNEL mode. (p. 20)

23 SKIP CHANNEL INDICATOR

Appears when a memory channel is programmed as a skip channel. (p. 32)

24 CODE SQUELCH INDICATOR

Appears when the optional code squelch function is activated. (p. 40)

25 S/RF INDICATOR

- Shows signal strength when receiving. (p. 13)
- Shows which output power for High or Low is selected when transmitting. (p. 14)

26 PAGER INDICATOR

Appears when the optional pager function is activated. (pgs. 38 ~ 40)

27 BUSY INDICATOR

Appears when the squelch opens. (p. 13)

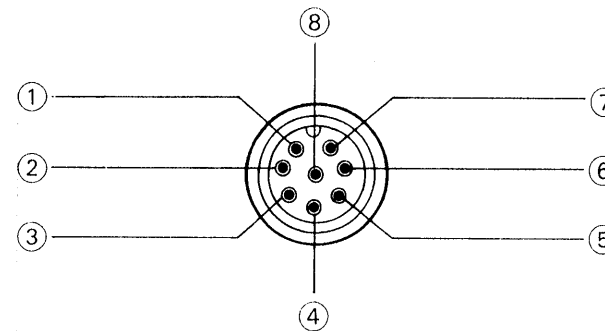
28 LOW POWER INDICATOR

Appears when Low output power is selected. (p. 14)

29 PRIORITY INDICATOR

Appears during priority watch. (pgs. 23, 24)

Microphone connector

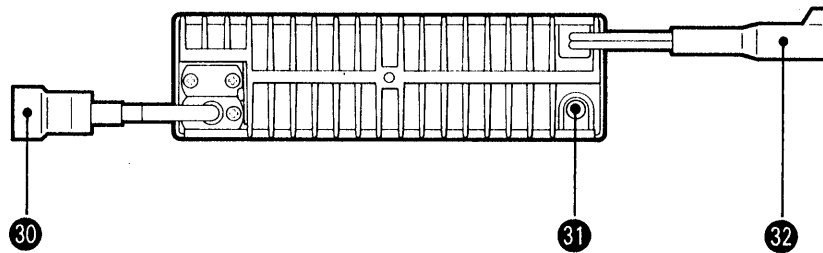


(Front panel view)

- | | |
|--------------------------|---------------------------|
| ① MIC (Microphone input) | ⑤ PTT |
| ② +8 V (8 V DC output) | ⑥ GND (PTT ground) |
| ③ MIC UD (Up/down input) | ⑦ GND (Microphone ground) |
| ④ NC (No connection) | ⑧ AF DETECTOR OUTPUT |

1 PANEL DESCRIPTION

■ Rear panel



30 ANTENNA CONNECTOR [ANT 430 MHz]*

Connects a 50 Ω antenna with a type-N connector. (p. 9)

*U.S.A. version : [ANT 440 MHz]

31 EXTERNAL SPEAKER JACK [SP]

Connects a 4~8 Ω speaker, if required.

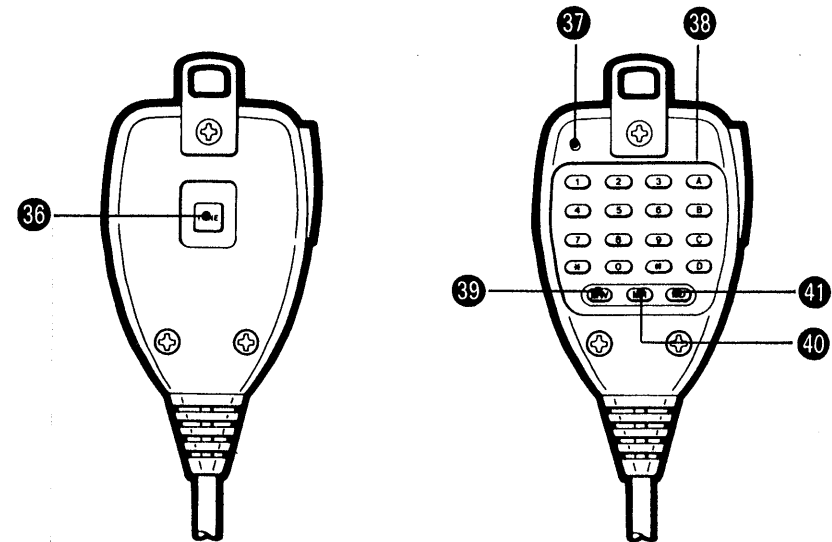
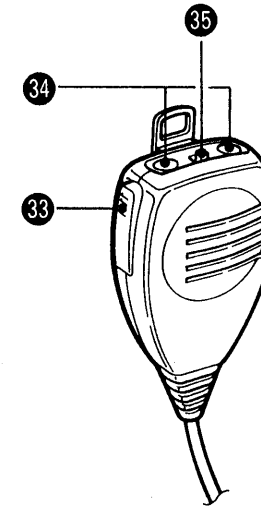
The optional SP-7, SP-10 and SP-12 EXTERNAL SPEAKERS are available. (p. 44)

32 DC POWER CONNECTOR [DC 13.8 V]

Connects 13.8 V DC using the supplied DC power cable. (p. 8)

The optional IC-PS30 AC POWER SUPPLY is available. (p. 44)

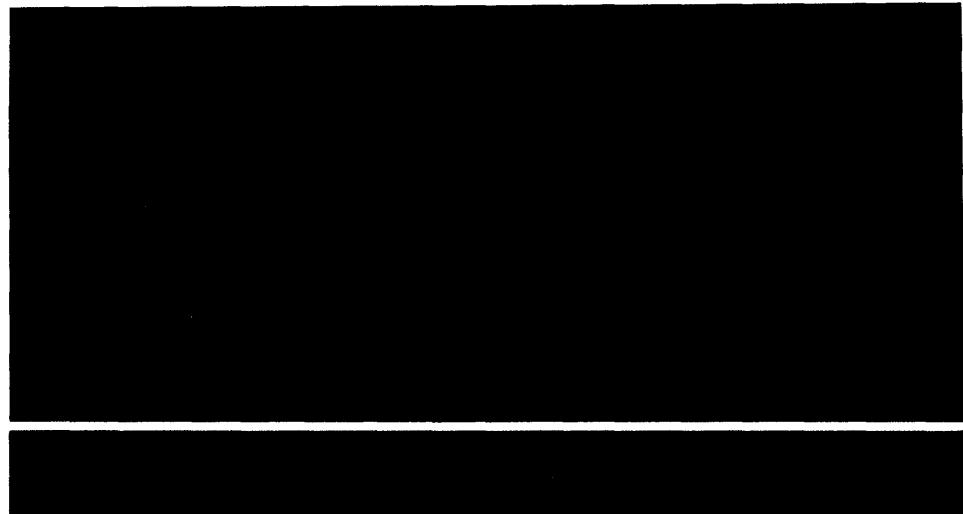
■ Microphone



HM-59 rear panel

HM-56 rear panel

Count on us!



A-5113S-1EX
Printed in Japan
Copyright © 1990 by Icom Inc.

Icom Inc.
6-9-16, Kamihigashi, Hirano-ku, Osaka 547, Japan
