

ICOM

INSTRUCTION MANUAL

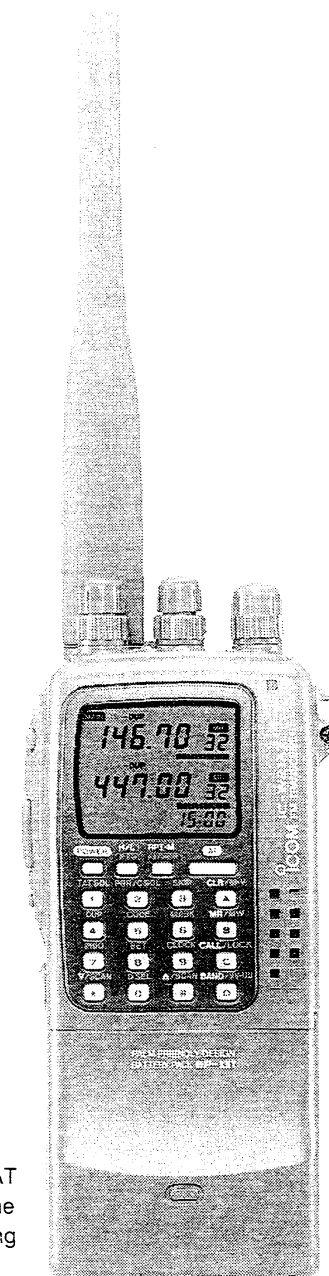
DUAL BAND FM TRANSCEIVER

IC-W21AT

IC-W21ET

This device complies with Part 15 of the FCC Rules. Operation is subject to the following two conditions: (1) This device may not cause harmful interference, and (2) this device must accept any interference received, including interference that may cause undesired operation.

Icom Inc.



The photo shows IC-W21AT with optional BP-131. The battery pack differs according to versions.

IMPORTANT

READ ALL INSTRUCTIONS carefully and completely before using the transceiver.

SAVE THIS INSTRUCTION MANUAL — This instruction manual contains important safety and operating instructions for the IC-W21AT and IC-W21ET.

EXPLICIT DEFINITIONS

CAUTION: Equipment damage may occur.

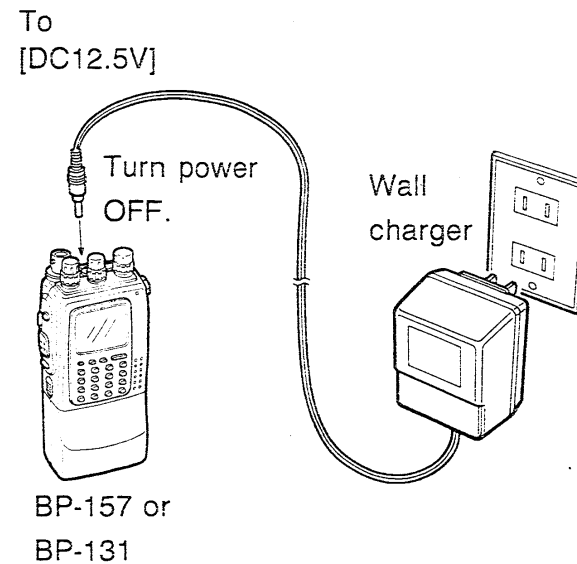
NOTE: If disregarded, inconvenience only. No risk of personal injury, fire or electric shock.

WHEN FIRST APPLYING POWER

◆ Battery pack charging

- ① Attach the battery pack to the transceiver.
- ② Connect the wall charger to the [DC12.5V] jack to charge the battery pack.

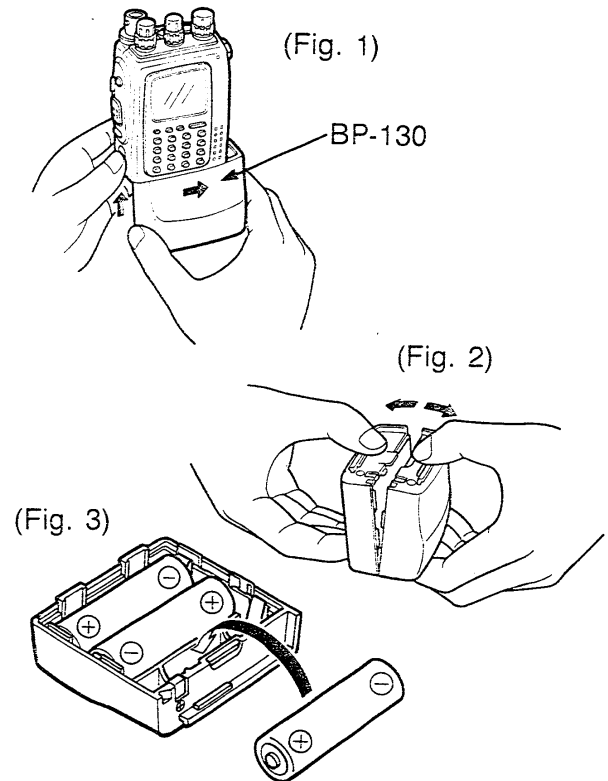
• Charging period of the BP-157 and BP-131 is approx. 15 hrs.



◆ Installing batteries into the battery case

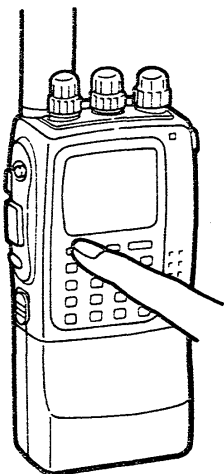
Install six dry cell batteries as shown in the figures below.

• Pay attention to the polarities.



◆ Power ON

Push and hold [POWER] for 1 sec. to turn power ON.



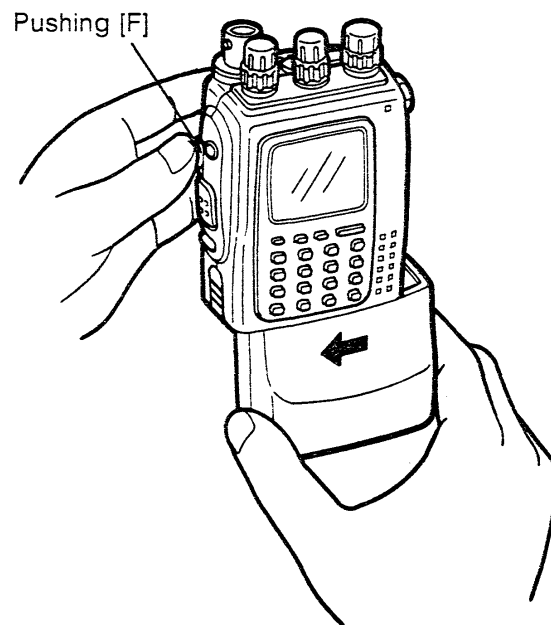
Push and hold [POWER] for 1 sec. again to turn power OFF.

The power key may not function when the transceiver has not been operated for 2 months or more as the internal memory backup battery (rechargeable) may have become empty. In this case, activate the CPU as described in the box at right.

• Activating the CPU

(when the power does not come on)

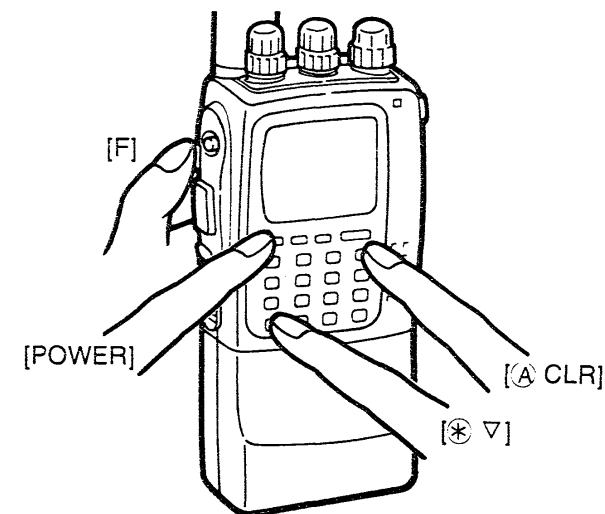
While pushing the [F] key, attach the charged battery pack. Then, turn power ON.



◆ Resetting the transceiver

Reset the transceiver before operating for the first time, or when the internal CPU malfunctions.

- ① Turn power OFF.
- ② While pushing [F], [▲ CLR] and [⊛ ▽], push and hold [POWER] for 1 sec. to reset the CPU.



Partial resetting is alternatively available. See p. 48. for details.

CAUTIONS

NEVER connect the transceiver to an AC outlet or to a power source of more than 16 V DC.

NEVER connect the transceiver to a power source using reverse polarity. This connection will ruin the transceiver.

NEVER allow children to touch the transceiver.

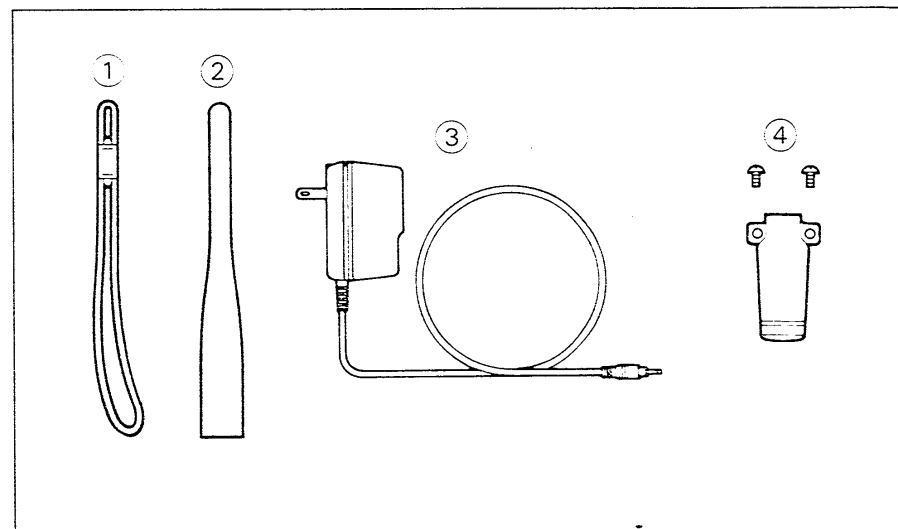
AVOID using or placing the transceiver in direct sunlight or in areas with temperatures below -10°C ($+14^{\circ}\text{F}$) or above $+60^{\circ}\text{C}$ ($+140^{\circ}\text{F}$).

BE CAREFUL! When transmitting for a long time with high output power, the rear panel may become hot.

The use of non-Icom battery packs/chargers may impair transceiver performance and invalidate the warranty.

Even when the transceiver power is OFF, a slight current still flows in the circuits. Remove the battery pack or case from the transceiver when not using the transceiver for a long time. Otherwise, the battery pack or installed dry cell batteries in the battery case will become exhausted.

UNPACKING



Accessories included with the transceiver:	Qty.
① Handstrap	1
② Antenna (FA-B270A)	1
③ Wall charger*	1
④ Belt clip and screws	1 set
Battery pack (BP-157) or battery case (BP-130) (attached with the transceiver)	1

*Not included with versions which include a battery case.

TABLE OF CONTENTS

IMPORTANT	i	☐ Repeater memory	19	14 CLOCK AND TIMERS	35 - 38
EXPLICIT DEFINITIONS	i	☐ Auto repeater power control	19	☐ Clock operation	35
WHEN FIRST APPLYING POWER	i - ii	7 MEMORY OPERATION	20 - 22	☐ Timer mode	36
CAUTIONS	iii	☐ General description	20	☐ Auto power-off	36
UNPACKING	iii	☐ Memory channel selection	20	☐ Power-on timer	37
TABLE OF CONTENTS	iv	☐ Programming a memory channel	21	☐ Power-off timer	38
1 PANEL DESCRIPTION	1 - 6	☐ Transferring memory contents	22	15 PAGER AND CODE SQUELCH	39 - 43
☐ Front and side panels	1	☐ Masking a memory	22	☐ Pager function	39
☐ Top panel	2	8 CALL CHANNEL OPERATION	23	☐ Code channel	40
☐ Keyboard	3	☐ Calling up a call channel	23	☐ Code programming	41
☐ Function display	5	☐ Transferring call channel contents	23	☐ Pager operation	41
2 BATTERY PACK CHARGING	7 - 8	☐ Programming a call channel	23	☐ Code squelch operation	43
☐ Battery pack charging	7	9 SCAN OPERATION	24 - 29	16 POCKET BEEP AND	
☐ Charging precautions	7	☐ Scan types	24	TONE SQUELCH	44 - 45
☐ About the battery pack	7	☐ Full scan	25	☐ Optional UT-63 installation	44
☐ Charging connection	8	☐ Programmed scan	25	☐ Pocket beep operation	45
3 ACCESSORY ATTACHMENT	9	☐ Programming scan edges	26	☐ Tone squelch operation	45
4 SETTING A FREQUENCY	10 - 13	☐ Frequency skip function	27	17 OTHER FUNCTIONS	46 - 48
☐ Main band	10	☐ Memory scan	28	☐ Power saver	46
☐ VFO and memory modes	10	☐ Memory skip scan	28	☐ Battery voltage indication	46
☐ Setting via the keyboard	11	☐ Skip channel setting	29	☐ PTT lock function	47
☐ Lock function	11	☐ Scan resume condition	29	☐ Beep tone on/off	47
☐ Presetting for the tuning dial	12	10 PRIORITY WATCH	30	☐ Receive indicator on/off	47
☐ Setting via Δ/∇ key	13	☐ Priority watch types	30	☐ LCD contrast	47
☐ Using the tuning dial	13	☐ Priority watch operation	30	☐ External speaker selection	48
☐ LCD lighting	13	11 DTMF MEMORY	31	☐ Partial resetting	48
5 BASIC OPERATION	14 - 16	☐ Programming a DTMF code	31	☐ Optional HM-75 functions	48
☐ Receiving	14	☐ Transmitting a DTMF code	31	18 MODE ARRANGEMENT CHART	49 - 50
☐ U by U and V by V functions	15	12 OPTIONAL WHISPER FUNCTION	32	19 TROUBLESHOOTING	51
☐ Transmitting	15	☐ General operation	32	20 SPECIFICATIONS	52
6 REPEATER OPERATION	17 - 19	☐ Time-out timer setting	32	21 OPTIONS	53 - 54
☐ Operation	17	13 AI FUNCTION	33 - 34		
☐ Tone information	17	☐ What does AI in the transceiver do?	33		
☐ Subaudible tone	18	☐ Learning function	34		
☐ Offset frequency	18	☐ Learning function on/off	34		
		☐ Manual assignment	34		

■ Front and side panels

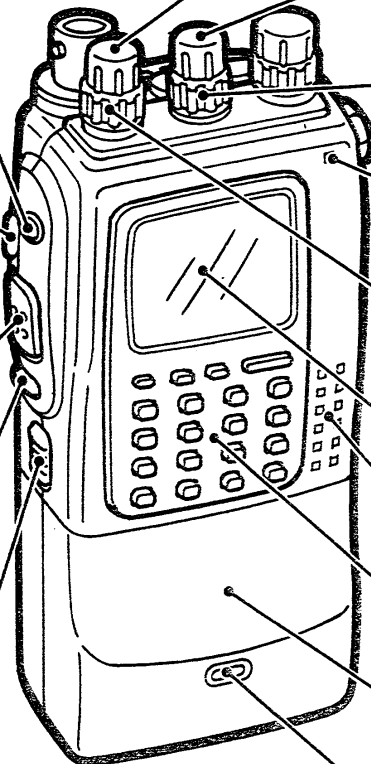
MONITOR SWITCH [MONI] (p. 14)
Manually opens the main band's squelch and monitors the transmit frequency.

FUNCTION SWITCH [F] (pgs. 3, 4)
While pushing this switch, other switches and the tuning dial perform secondary functions.
• "Push [F] + a switch" means "while pushing the [F] switch, push the switch."

PTT SWITCH [PTT] (p. 15)
Push and hold to transmit; release to receive.

LIGHT SWITCH [LIGHT] (p. 13)
• Lights the display and keyboard back-lighting for 5 sec.
• [F] + [LIGHT] manually turns the back-lighting ON and OFF.

BATTERY PACK RELEASE BUTTON
Opens the latch for battery pack removal when pushed upwards.



VHF VOLUME CONTROL [VOL] (p. 14)
Adjusts the VHF audio level.

UHF VOLUME CONTROL [VOL] (p. 14)
Adjusts the UHF audio level.

UHF SQUELCH CONTROL [SQL] (p. 14)
Varies the UHF squelch threshold point for noise mute.

TX/RX INDICATOR (pgs. 14, 15)

VHF SQUELCH CONTROL [SQL] (p. 14)
Varies the VHF squelch threshold point for noise mute.

FUNCTION DISPLAY (pgs. 5, 6)

SPEAKER/MICROPHONE

KEYBOARD (pgs. 3, 4)

BATTERY PACK/CASE (pgs. i, 7, 8)

OPTIONAL SUB MICROPHONE (p. 32)
Used for the optional whisper function.
(The BP-131 or BP-132 is required.)

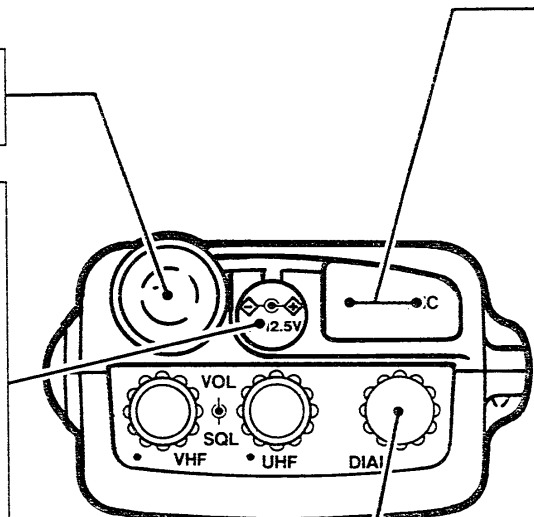
■ Top panel

ANTENNA CONNECTOR (p. 9)
Connects the supplied antenna.

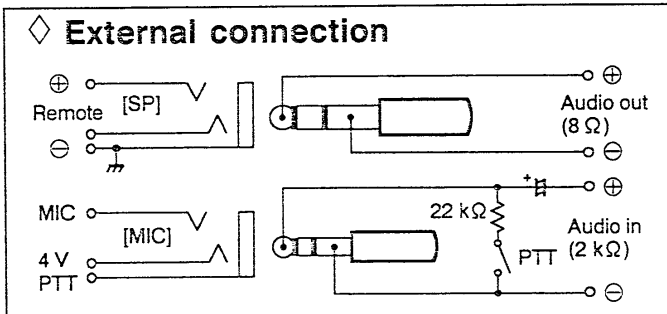
EXTERNAL DC POWER JACK [DC12.5V] (p. 53)
Allows operation with a 12.5 V DC power source using the optional cables, CP-13 or OPC-288.

CAUTION: Operation with an external DC power source simultaneously charges batteries inside the battery case or the battery pack. This may cause battery leakage and damage the transceiver or cause battery overcharging and shorten the life of the battery pack, respectively.

TUNING DIAL
Sets operating frequency, memory channel and set mode contents.



EXTERNAL SPEAKER AND MICROPHONE JACKS. [SP]/[MIC]
Connect an optional speaker-microphone or headset, if desired. The internal microphone will not function when either is connected. (See pgs. 53, 54 for options.)

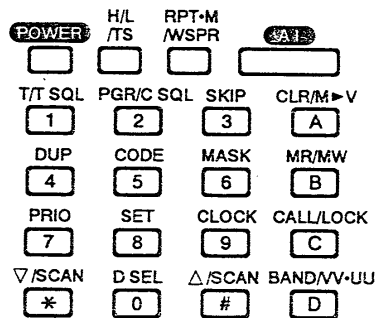


The above diagram does not apply when a condenser microphone is connected.

◇ **External audio output**
Audio output from the [SP] jack can be selected for VHF and/or UHF using set mode. When connecting a TNC, etc., set the undesired band audio to the internal speaker. (p. 48)

1 PANEL DESCRIPTION

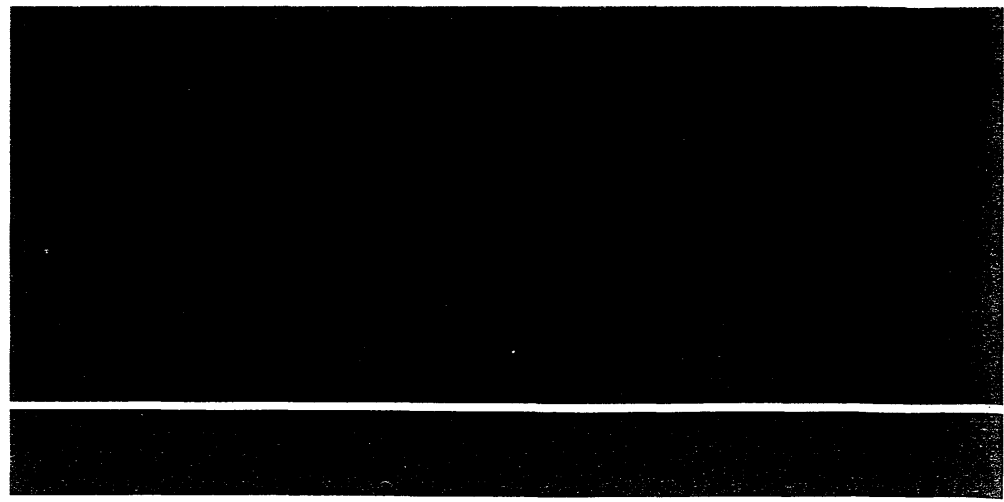
Keyboard



KEY	FUNCTION	SECONDARY FUNCTION (+ [F])
T/T SQL 1		Activates the following optional* functions in this sequence: subaudible tone encoder → pocket beep → tone squelch → non-tone operation. (pgs. 17, 45)
PGR/C SQL 2		Activates the following functions in this sequence: pager → code squelch → non-selective calling. (pgs. 41 - 43)
SKIP 3	<ul style="list-style-type: none"> • Input the appropriate digit while in VFO mode. (p. 11) • Input the first digit while in memory mode. (p. 20) • Transmit the appropriate DTMF code while transmitting. 	Sets the selected memory channel as a skip memory channel in memory mode. (p. 29)
DUP 4		Selects the duplex direction in this sequence: – duplex → + duplex → simplex. (p. 17)
CODE 5		Programs the code channel for pager and code squelch operation. (p. 41)
MASK 6		Hides and displays the selected memory channel in memory mode. Memory channel 1 cannot be hidden. (p. 22)
PRIO 7		Starts the priority watch. (p. 30)
SET 8		Enters set mode. (Various pages)
CLOCK 9		<ul style="list-style-type: none"> • Indicates the clock display. (p. 35) • Sets clock time when pushed 2 times. (p. 35)
D SEL 0		Selects the dial select step. (p. 12)

*Built-in to the U.S.A. version.

Count on us!



A-5239S-1EX-①
Printed in Japan
Copyright © 1993 by Icom Inc.

Icom Inc.
6-9-16, Kamihigashi, Hirano-ku, Osaka 547, Japan
