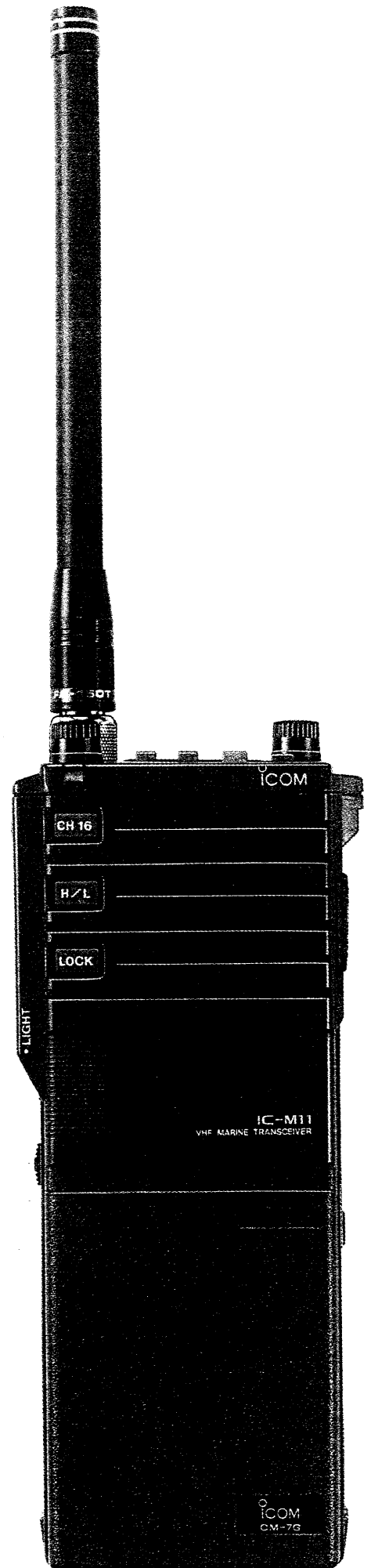


ICOM

INSTRUCTION MANUAL

VHF MARINE
TRANSCEIVER
IC-M11



Icom Inc.

FOREWORD

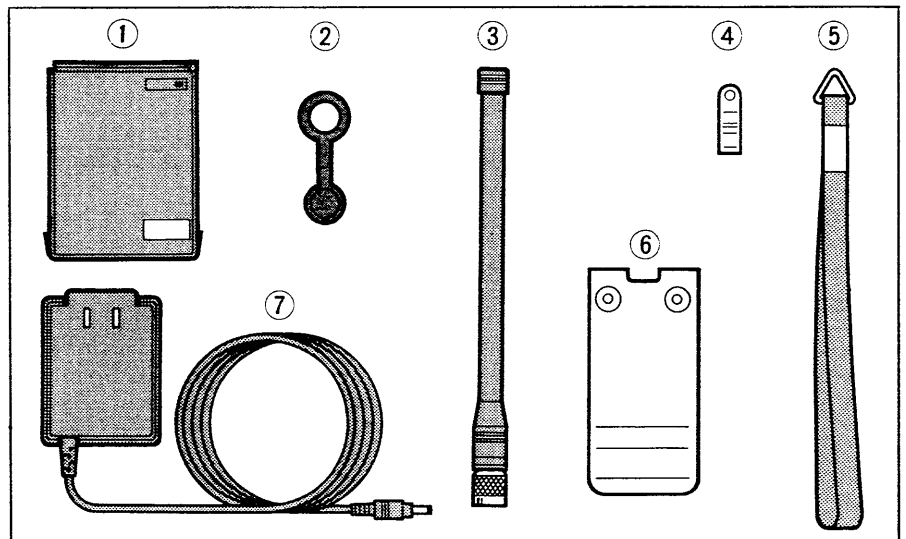
Icom has put the multi-functional complexity of larger marine transceivers into an advanced new handheld – the **IC-M11 VHF MARINE TRANSCEIVER**.

Beautifully designed, compact, light and easy to use, the **IC-M11** is equipped with the following advanced features:

- 6W of high output power
- Splash-resistant, dust-tight case with molded frame design
- All marine channels pre-programmed
- Icom's new TRI watch function
- 24 user-programmable memory channels
- 3 separate scan functions

Please read this instruction manual carefully before operating your new **IC-M11**. Also, visit your nearest authorized Icom Dealer if you have questions relating to the operation of the transceiver.

UNPACKING



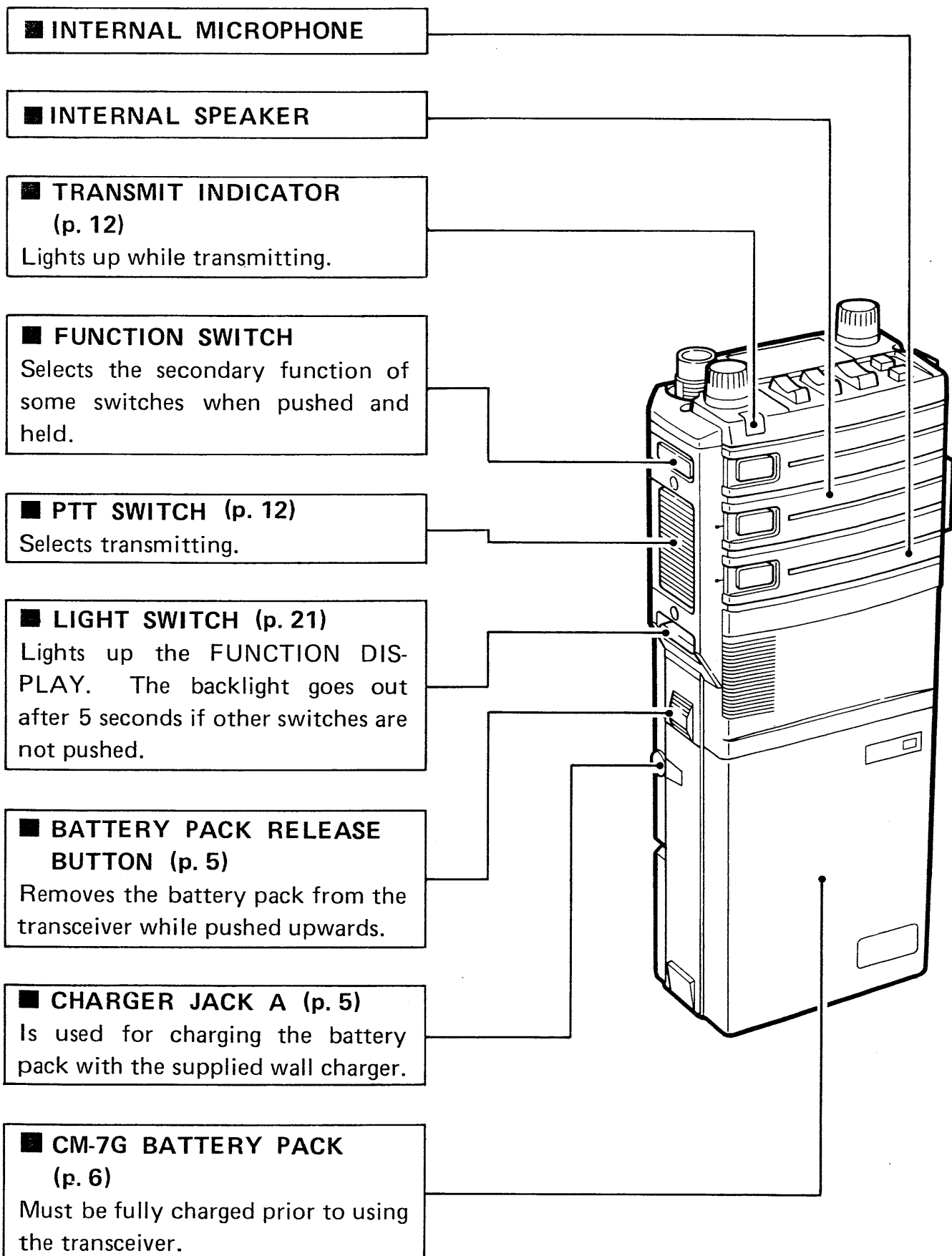
①	CM-7G BATTERY PACK	1
②	Antenna rubber cap.	1
③	Flexible antenna	1
④	Handstrap clip.	1
⑤	Handstrap	1
⑥	Belt clip	1
⑦	Wall charger	1

TABLE OF CONTENTS

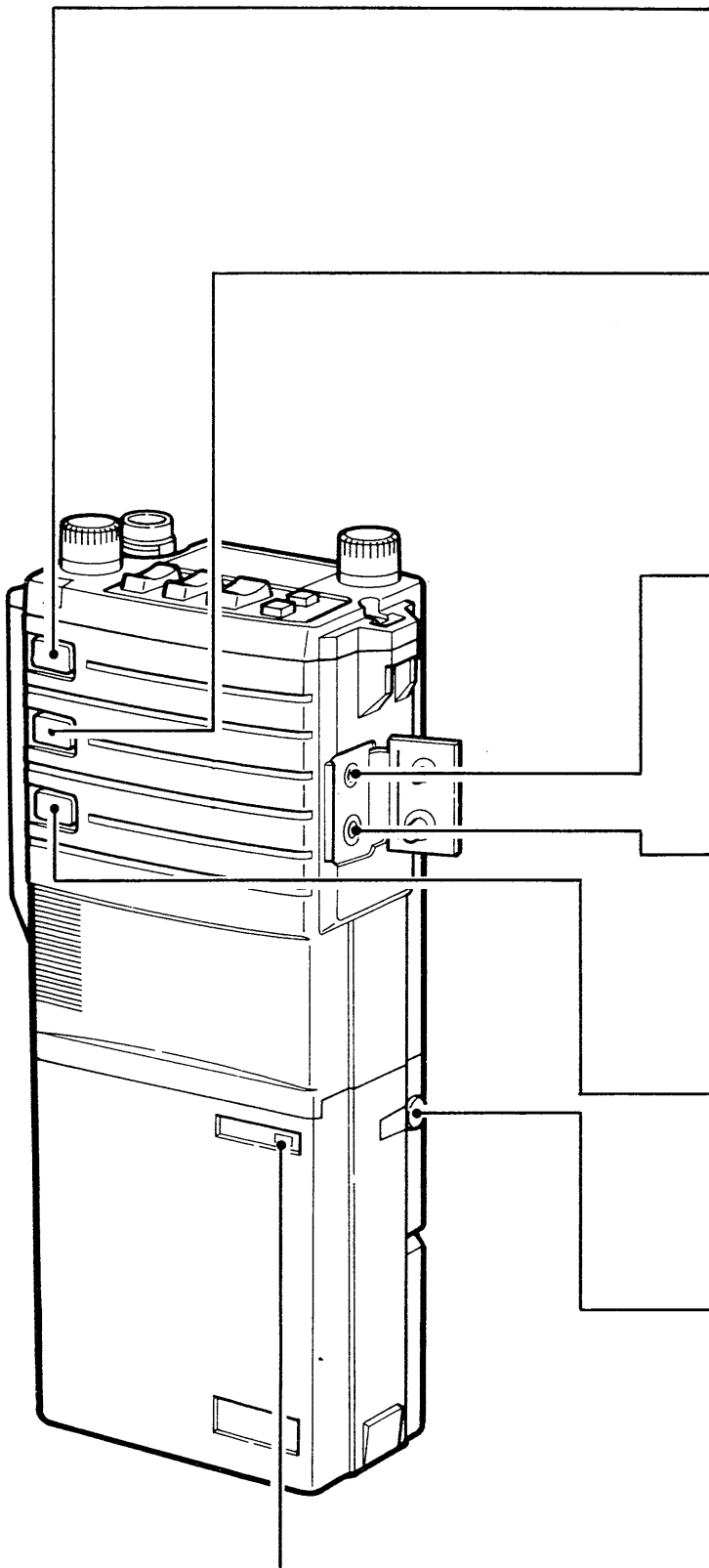
1. CONTROL FUNCTIONS	1 ~ 4
1-1 FRONT AND SIDE PANELS.....	1
1-2 TOP PANEL.....	3
1-3 FUNCTION DISPLAY.....	4
2. PRE-OPERATION	5 ~ 8
2-1 CHARGING CONNECTIONS.....	5
2-2 BATTERY PACK CHARGING.....	6
2-3 ACCESSORIES ATTACHMENT.....	7
2-4 OPERATING RULES AND GUIDELINES.....	8
3. BASIC OPERATION	9 ~ 12
3-1 SELECTING A CHANNEL.....	9
3-2 RECEIVING.....	11
3-3 TRANSMITTING.....	12
4. MEMORY CHANNEL OPERATION	13 ~ 14
4-1 MEMORY RECALL.....	13
4-2 MEMORY WRITING.....	14
5. SCANNING OPERATION	15 ~ 17
5-1 SCAN TYPES.....	15
5-2 SCANNING.....	16
5-3 CHANNEL LOCKOUT FUNCTION.....	17
6. SPECIAL WATCH OPERATION	18 ~ 20
6-1 CHANNEL WATCH TYPES.....	18
6-2 DUAL WATCH FUNCTION.....	19
6-3 TRI WATCH FUNCTION.....	20
7. OTHER FUNCTIONS	21
7-1 LOCK FUNCTION.....	21
7-2 BACKLIGHT FUNCTION.....	21
8. VHF MARINE CHANNEL CHART	22
9. MAINTENANCE	23 ~ 24
9-1 TROUBLESHOOTING.....	23
9-2 RESETTING MICROPROCESSOR.....	24
9-3 BACKUP BATTERY.....	24
10. OPTIONS	25 ~ 26
11. SPECIFICATIONS	27

1. CONTROL FUNCTIONS

1 - 1 FRONT AND SIDE PANELS



CONTROL FUNCTIONS 1.



■ CHANNEL 16 SWITCH (p. 9)

Selects Channel 16, the marine emergency channel for distress calls.

■ HIGH/LOW SWITCH (p. 12)

Selects output power.

- **HIGH:** 6W. Greater coverage for long distance transmissions.
- **LOW :** 1W. Low output power for conserving battery life.

■ EXTERNAL MIC JACK

Accepts an optional EM-46L SPEAKER-MICROPHONE. The internal mic does not function when an external mic is connected.

■ EXTERNAL SPEAKER JACK

Connect an 8Ω external speaker to this jack. The internal speaker will not function when an external speaker is connected.

■ LOCK SWITCH (p. 21)

Prevents accidental changes of the operating channel.

■ CHARGER JACK B (p. 5)

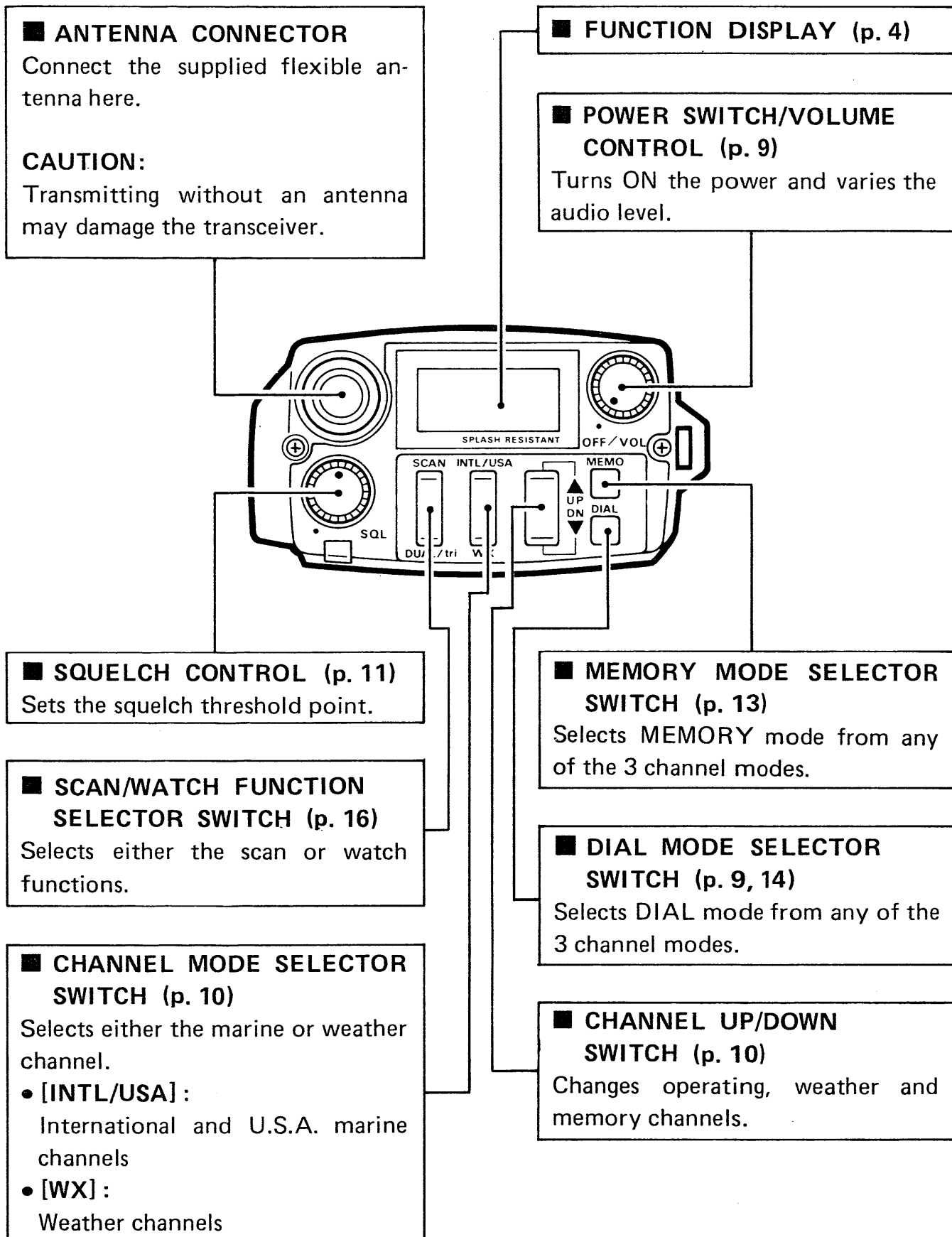
Is used for charging the battery pack with external 13.8V DC power source.

■ BATTERY CHARGE INDICATOR (p. 6)

Lights up while the battery pack is being charged with the supplied wall charger.

1. CONTROL FUNCTIONS

1 - 2 TOP PANEL



Count on us!

