

ICOM

INSTRUCTION MANUAL

VHF TRANSCEIVER

IC-V210T

UHF TRANSCEIVER

IC-U210T



Icom Inc.

IMPORTANT

READ ALL INSTRUCTIONS carefully and completely before using the transceiver.

SAVE THIS INSTRUCTION MANUAL —

This instruction manual contains important safety and operating instructions for the **IC-V210T** and **IC-U210T**.

FOREWORD

Thank you for choosing the **IC-V210T VHF TRANSCEIVER** or **IC-U210T UHF TRANSCEIVER**. Since the **IC-V210T** and **IC-U210T** are equipped with both 5-tone and CTCSS capability, it can be used with almost all types of business band transceivers.

This instruction manual explains the basic operation for the **IC-V210T/IC-U210T**. The way to use the **IC-V210T/IC-U210T** varies widely depending on the internal programming. Please ask your dealer for further information.

CAUTIONS

NEVER connect the transceiver to AC or a 24 V DC car battery.

NEVER allow children to touch the transceiver.

NEVER expose the transceiver to rain, snow or any liquids or place the transceiver in a dusty environment or in direct sunlight.

NEVER disassemble the transceiver. Incorrect reassembly may result in a fire hazard or electric shock.

NEVER place the transceiver where normal operation of the vehicle may be hindered or where it could cause bodily injury.

DO NOT use the transceiver when it is covered by objects which impede heat dispersion.

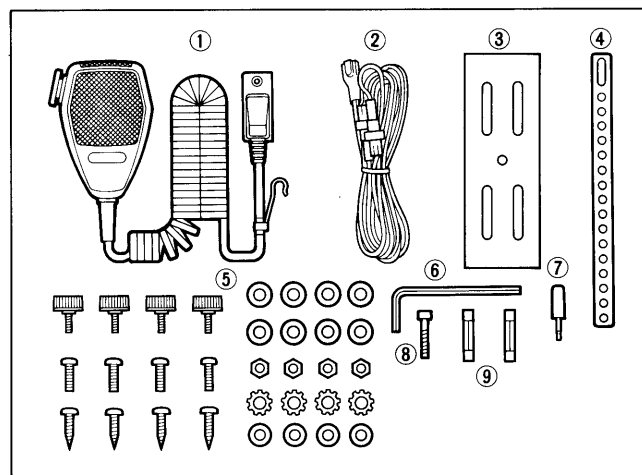
AVOID using or storing the transceiver in places with temperatures below -25°C or over $+55^{\circ}\text{C}$.

BE CAREFUL! The heatsink may become hot when operating the transceiver for a long period.

TABLE OF CONTENTS

1. PANEL DESCRIPTION	1~2
■ Front panel	1
■ Function display	2
2. BASIC OPERATION	3~4
■ Receiving	3
■ Transmitting	3
3. GENERAL DESCRIPTION	5~6
■ Channels	5
■ Conditions	6
4. SCAN FUNCTION	7
5. OPTIONAL FUNCTIONS	8~10
■ For receiving	8
■ For transmitting	10
6. 5-TONE OPERATION EXAMPLE	11
7. OPTIONS	12

UNPACKING

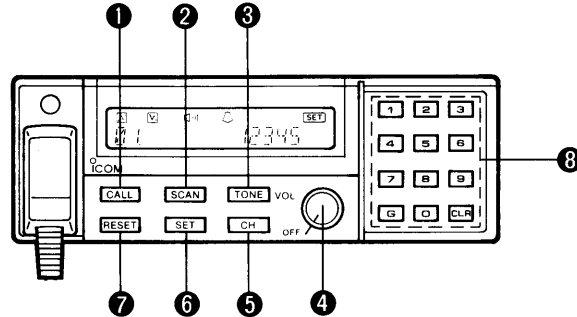


ACCESSORIES:	QTY.
① Microphone (EM-63)	1
② DC power cable (OPC-044A)	1
③ Mounting bracket	1
④ Mounting support plate	1
⑤ Mounting bracket screw, nut and screws	1 set
⑥ Allen key wrench	1
⑦ External speaker plug	1
⑧ Allen head screw	1
⑨ Spare fuses (10 A)	2

1

PANEL DESCRIPTION

■ Front panel



① CALL SWITCH [CALL]

Transmits a TX 5-tone code.

② SCAN SWITCH [SCAN]

Starts and stops scanning.

- This switch does not function on the non-scan type.

③ TONE SWITCH [TONE]

Selects a TX 5-tone channel with the keyboard.

④ POWER SWITCH/VOLUME CONTROL [VOL]

- Turns the power ON and OFF and adjusts the audio output level.

- Opens or closes the squelch by pulling or pushing, respectively.

⑤ CHANNEL SWITCH [CH]

Selects a memory channel with the keyboard.

⑥ SET SWITCH [SET]

- Selects the display brightness, bright or dark.

- Selects TX 5-tone code indication or TX comment indication when pushing and holding for 4 sec.

⑦ RESET SWITCH [RESET]

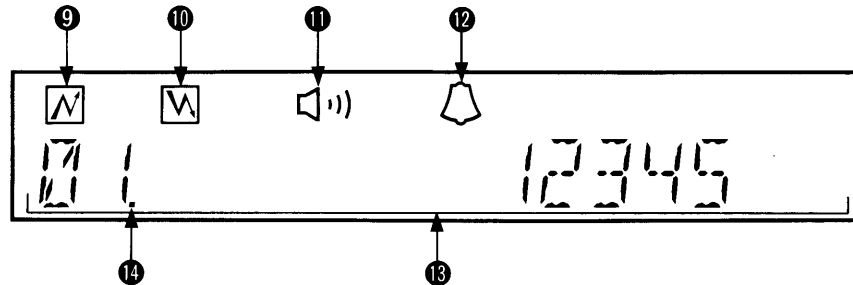
Selects the reset or monitor condition.

• The monitor condition may or may not be selectable depending on the transceiver type.

⑧ KEYBOARD

Selects the memory channel number or TX 5-tone channel number.

■ Function display



9 TRANSMIT INDICATOR

Appears when transmitting.

10 BUSY INDICATOR

Appears when the selected channel is busy.

11 MONITOR INDICATOR

Appears when the transceiver is in the monitor condition.

12 BELL INDICATOR

Can be displayed or blinked when the 5-tone code for you is received.

- This is an optional function. Ask your dealer for details.

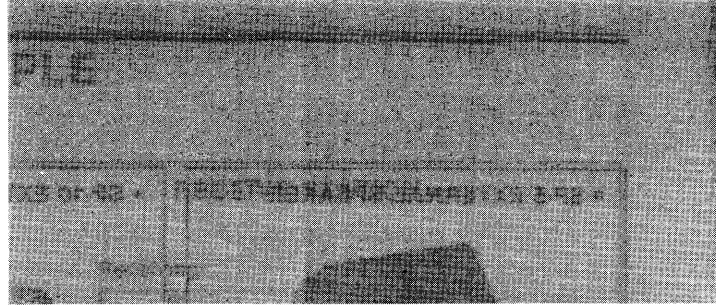
13 FUNCTION INDICATOR

Displays the channel number, 5-tone code, TX comment, etc.

14 SCAN CHANNEL INDICATOR

“•” appears when the selected channel is a scan channel.

Count on us!



A-5169H-1EX
Printed in Japan
Copyright © 1991 by Icom Inc.

Icom Inc.
6-9-16, Kamihigashi, Hirano-ku, Osaka 547, Japan