

# ICOM

## INSTRUCTION MANUAL

144 MHz FM TRANSCEIVER

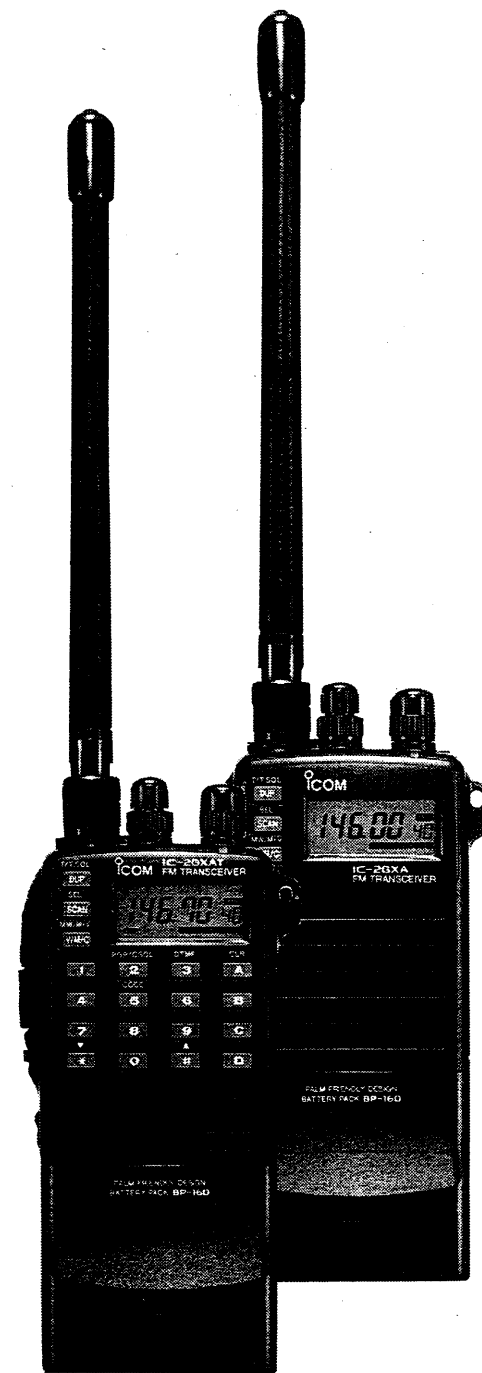
**IC-2GXA IC-2GXE**  
**IC-2GXAT IC-2GXET**

UHF FM TRANSCEIVER

**IC-4GXA IC-4GXE**  
**IC-4GXAT IC-4GXET**

This device complies with Part 15 of the FCC Rules. Operation is subject to the following two conditions: (1) This device may not cause harmful interference, and (2) this device must accept any interference received, including interference that may cause undesired operation.

**Icom Inc.**



---

## IMPORTANT

---

**READ ALL INSTRUCTIONS** carefully and completely before using the transceiver.

**SAVE THIS INSTRUCTION MANUAL.** This instruction manual contains important safety and operating instructions.

---

## MANUAL NOTES

---

This instruction manual uses the IC-2GXAT for most of the example displays. Please note that only the frequency differs from the IC-4GXA/E or IC-4GXAT/ET.

This instruction manual distinguishes models as “T” types and “non-T” types rather than using full model names.

“T” types	IC-2GXAT, IC-2GXET, IC-4GXAT, IC-4GXET
“Non-T” types	IC-2GXA, IC-2GXE, IC-4GXA, IC-4GXE

---

## UNPACKING

---

- Battery pack or battery case ... 1
- Wall charger ..... 1  
(Versions attached battery case do not included.)
- Flexible antenna ..... 1
- Handstrap ..... 1
- Belt clip and screws ..... 1 set

---

## CAUTIONS

---

**⚠ NEVER** connect the transceiver to an AC outlet or to a power source of more than 16 V DC.

**⚠ NEVER** connect the transceiver to a power source using reverse polarity. This connection will ruin the transceiver.

**⚠ NEVER** allow children to touch the transceiver.

**AVOID** using or placing the transceiver in areas with temperatures below  $-10^{\circ}\text{C}$  ( $+14^{\circ}\text{F}$ ) or above  $+60^{\circ}\text{C}$  ( $+140^{\circ}\text{F}$ ).

**AVOID** placing the transceiver in direct sunlight.

**BE CAREFUL!** When transmitting for a long time with high output power, the rear panel will become hot.

**BE CAREFUL!** During external DC power operation, connected battery pack or battery case is charged. If the BP-130A BATTERY CASE is connected, remove dry cell batteries. Otherwise, battery leakage may occur.

**BE CAREFUL!** The use of non-Icom battery packs and chargers may impair transceiver performance and invalidate the warranty.

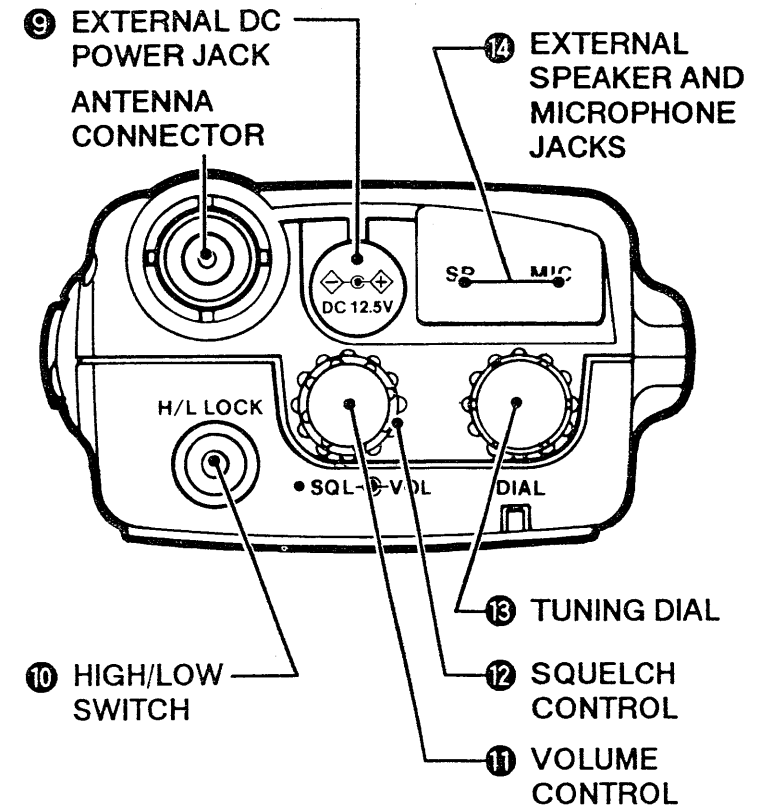
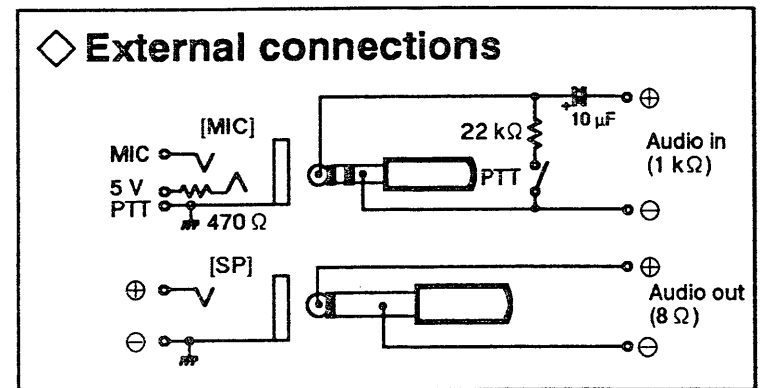
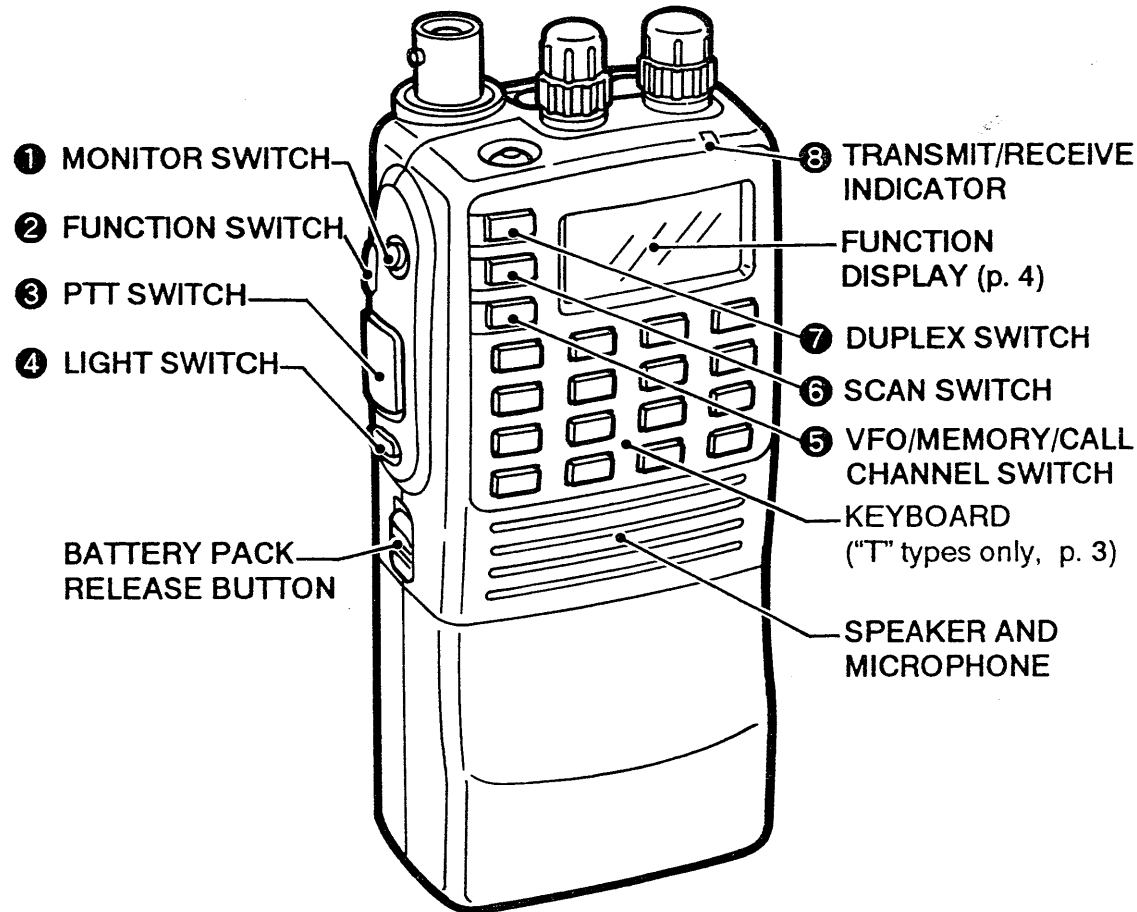
# TABLE OF CONTENTS

IMPORTANT .....	i	■ Output power selection .....	13	11 <b>PAGER AND CODE SQUELCH</b> .....	23 – 26
MANUAL NOTES .....	i	■ PTT lock .....	13	■ Function availability .....	23
UNPACKING .....	i	<b>5 BASIC REPEATER OPERATION</b> .....	14	■ What is the pager function? .....	23
CAUTIONS .....	i	■ Accessing .....	14	■ Code channels .....	24
TABLE OF CONTENTS .....	ii	<b>6 ADVANCED REPEATER OPERATION</b> .....	15 – 16	■ Code programming .....	25
<b>1 PANEL DESCRIPTION</b> .....	1 – 4	■ Auto repeater .....	15	■ Pager operation .....	25
■ Front, side and top panels .....	1	■ Offset frequency .....	15	■ Code squelch operation .....	26
■ Keyboard .....	3	■ Subaudible tone frequency .....	16	<b>12 POCKET BEEP AND TONE SQUELCH</b> .....	27
■ Function display .....	4	■ Tone scan operation .....	16	■ Function availability .....	27
<b>2 PRE-OPERATION</b> .....	5 – 8	<b>7 DTMF MEMORY CHANNELS</b> .....	17	■ Pocket beep operation .....	27
■ Battery pack charging .....	5	■ DTMF memory programming .....	17	■ Tone squelch operation .....	27
■ Battery pack precautions .....	5	■ DTMF memory transmitting .....	17	<b>13 OTHER FUNCTIONS</b> .....	28 – 30
■ About the battery pack .....	5	<b>8 CALL CHANNEL</b> .....	18	■ Power saver .....	28
■ Charging connections .....	6	■ Call channel recall .....	18	■ Lighting timer .....	28
■ Dry cell battery installation .....	7	■ Call channel programming .....	18	■ Beep tones .....	29
■ Accessory attachment .....	8	<b>9 MEMORY CHANNELS</b> .....	19 – 20	■ DTMF speed .....	29
<b>3 FREQUENCY SETTING</b> .....	9 – 11	■ Memory channel selection .....	19	■ Channel number restriction .....	30
■ VFO, MEMORY modes and call channel .....	9	■ Memory channel programming .....	19	■ Channel number indication .....	30
■ Using tuning dial .....	9	■ Frequency transferring .....	20	<b>14 OPTIONAL UNIT INSTALLATION</b> .....	31
■ Tuning step .....	10	<b>10 SCANS</b> .....	21 – 22	<b>15 MODE ARRANGEMENT CHART</b> .....	32
■ Display lighting .....	10	■ Scan types .....	21	<b>16 TROUBLESHOOTING</b> .....	33
■ Dial select step pre-setting .....	10	■ Programmed scan operation .....	21	<b>17 SPECIFICATIONS</b> .....	34
■ Lock function .....	10	■ Memory scan operation .....	21	<b>18 OPTIONS</b> .....	35 – 36
■ Using digit keys .....	11	■ Skip channel setting .....	22		
■ Using ▲/ ▼ keys .....	11	■ Scan resume condition .....	22		
<b>4 RECEIVING AND TRANSMITTING</b> .....	12 – 13				
■ Receiving .....	12				
■ Monitor function .....	12				
■ Transmitting .....	12				

# 1

## PANEL DESCRIPTION

### Front, side and top panels



**① MONITOR SWITCH [MONI]**

Manually opens the squelch and monitors the transmit frequency. (pgs. 12, 14)

**② FUNCTION SWITCH [F]**

While pushing [F], some switches perform secondary functions.

**③ PTT SWITCH [PTT]**

Push and hold to transmit. (p. 12)

**④ LIGHT SWITCH [LIGHT]**

Turns the display lighting ON and OFF. (p. 10)

**⑤ VFO/MEMORY/CALL CHANNEL SWITCH**

[V/M/C • MW/M▶V]

- Selects VFO mode, MEMORY mode or a call channel in sequence. (pgs. 9, 18, 19)

- [F] + [V/M/C • MW/M▶V]

While in VFO mode: Writes VFO contents into a memory channel. (p. 19)

While in MEMORY mode: Transfers a memory channel contents into the VFO. (p. 20)

While on the call channel: Writes the VFO contents into the call channel. (p. 18)

**⑥ SCAN SWITCH [SCAN • SEL]**

- Activates and cancels tone scan, programmed scan or memory scan. (pgs. 16, 21)

- [F] + [SCAN • SEL]

While in VFO mode: Selects a digit for the dial select step. (p. 10)

While in MEMORY mode: Selects or cancels skip channel setting. (p. 22)

**⑦ DUPLEX SWITCH [DUP • T/T.SQ]**

- Selects +duplex, -duplex or simplex. (pgs. 12, 14)

- [F] + [DUP • T/T.SQ] Activates and cancels the subaudible tone encoder, tone squelch or pocket beep function. (pgs. 14, 27)

**⑧ TRANSMIT/RECEIVE INDICATOR**

- Lights up in green while the squelch is open. (p. 12)

- Lights up in red while transmitting. (p. 12)

**⑨ EXTERNAL DC POWER JACK [DC 12.5V]**

- Connects a wall charger or DC power source for charging. (p. 6)

- Connects 6-16 V DC power source for operation. (p. 35)

**⑩ HIGH/LOW SWITCH [H/L • Lock]**

- Selects high or low output. (p. 13)

- [F] + [H/L • Lock] Activates and cancels the lock function. (p. 10)

**⑪ VOLUME CONTROL [VOL]**

Turns the power ON and OFF, and adjusts audio output level. (pgs. 9, 12)

**⑫ SQUELCH CONTROL [SQL]**

Adjusts the squelch level. (p. 12)

**⑬ TUNING DIAL [DIAL]**

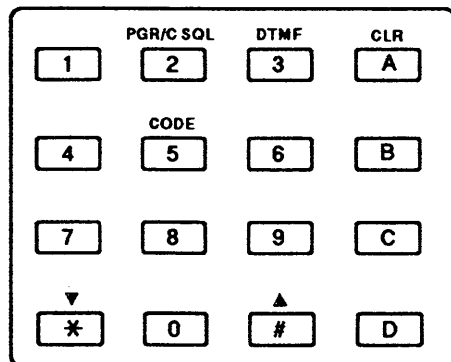
Selects an operating frequency, memory channel, etc. (pgs. 9, 19)

**⑭ EXTERNAL SPEAKER AND MICROPHONE JACKS [SP], [MIC]**

Connects an optional speaker-microphone or headset, if required. (p. 36)

# 1 PANEL DESCRIPTION

## Keyboard ("T" types only)



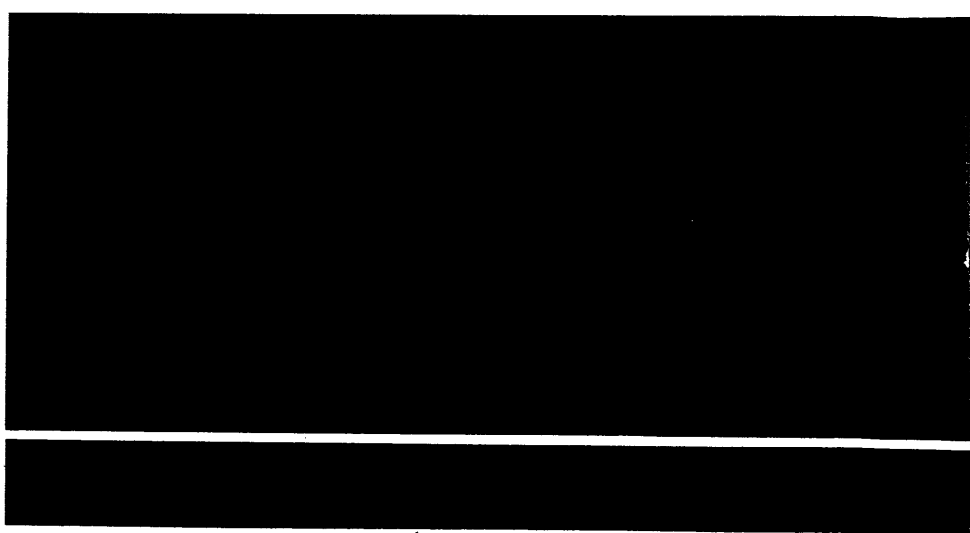
Each key encodes a DTMF code while transmitting. (p. 14)

Some keys have functions as tables at right.

Key	Function
1 to 0	- While in VFO mode: Sets the operating frequency. (p. 11) - While in MEMORY mode: Sets the 1's digit of memory channel number. (p. 19)
▲ # ▼ *	- While in VFO mode: Changes operating frequency. (p. 11) - While in MEMORY mode: Sets a memory channel. (p. 19)
CLR A	- While in VFO mode: Clears frequency input before entry. (p. 11) - Cancels the tone scan, programmed scan or memory scan. (pgs. 16, 21) - While in SET mode: Sets the contents and exits SET mode.

Key	Function while pushing [F]
PGR/C SQL 2	Activates and cancels optional pager and code squelch function. (pgs. 25, 26)
DTMF 3	Allows you to select a DTMF memory channel. (p. 17)
CODE 5	Allows you to program code channels for an optional pager and code squelch functions. (p. 25)

**Count on us!**



A-5302S-1EX  
Printed in Japan  
Copyright © 1994 by Icom Inc.

**Icom Inc.**  
6-9-16, Kamihigashi, Hirano-ku, Osaka 547, Japan