

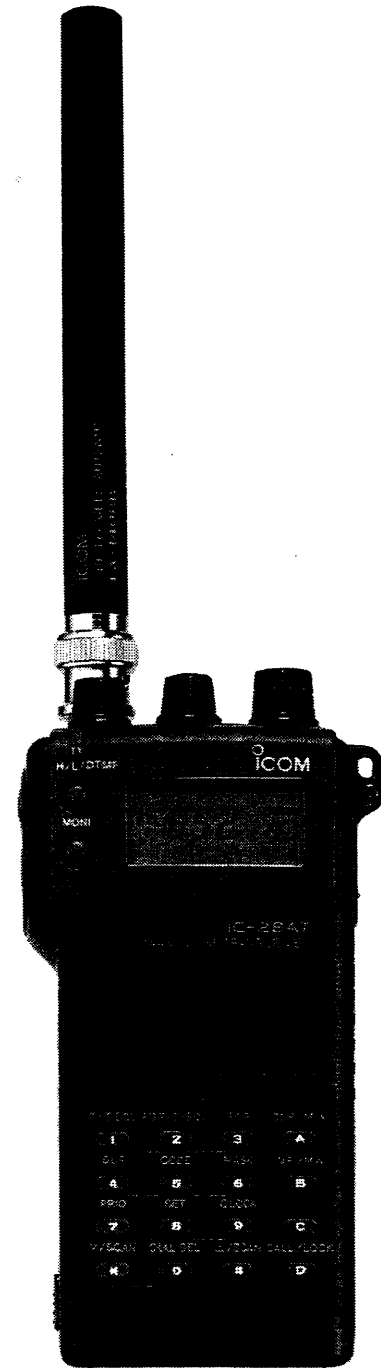
**ICOM**

**INSTRUCTION MANUAL**

144 MHz FM TRANSCEIVER

**IC-2SAT**  
**IC-2SET**

**Icom Inc.**



## FIRST APPLYING POWER

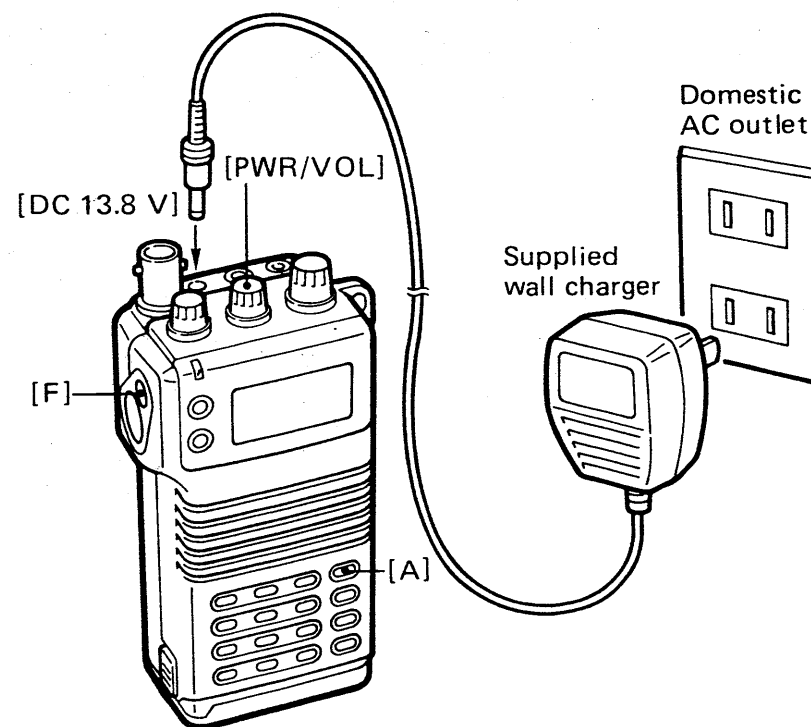
The IC-2SAT/SET includes NiCd batteries and a rechargeable backup battery. If the batteries are low at the time you purchase the IC-2SAT/SET, the transceiver may not operate properly.

If the transceiver malfunctions, reset it as follows:

- 1) Connect the supplied wall charger to the [DC 13.8 V] jack on the top panel.
- 2) While pushing [F] and [A] (CLR), rotate [PWR/VOL] to turn ON power.
- 3) Release the switches.
  - The function display shows:

U.S.A., Asia versions	146.01 MHz
Other versions	145.00 MHz
- 4) Turn OFF power, then wait until the battery pack is fully charged.

The internal batteries should be fully charged before using the transceiver.



---

# TABLE OF CONTENTS

---

FIRST APPLYING POWER . . . . .	i	8 SCAN OPERATION . . . . .	23 ~ 26
TABLE OF CONTENTS . . . . .	ii	8 - 1 Scan types . . . . .	23
IMPORTANT . . . . .	1	8 - 2 Scan operation . . . . .	24
OPERATING NOTES . . . . .	1	8 - 3 Setting scan conditions . . . . .	25
CAUTIONS . . . . .	1	9 PRIORITY WATCH . . . . .	27 ~ 28
FOREWORD . . . . .	2	9 - 1 Priority watch types . . . . .	27
UNPACKING . . . . .	2	9 - 2 Priority watch operation . . . . .	28
1 FEATURES . . . . .	3	10 DTMF MEMORY OPERATION . . . . .	29
2 PRE-OPERATION . . . . .	4 ~ 6	10 - 1 Programming a DTMF code . . . . .	29
2 - 1 Attaching accessories . . . . .	4	10 - 2 Transmitting a DTMF code . . . . .	29
2 - 2 Power requirement . . . . .	5	11 CLOCK AND TIMER OPERATION . . . . .	30 ~ 32
3 MODE CONSTRUCTION . . . . .	7 ~ 8	11 - 1 Clock mode . . . . .	30
3 - 1 Mode types . . . . .	7	11 - 2 Setting time . . . . .	30
3 - 2 Mode construction chart . . . . .	8	11 - 3 Power on timer . . . . .	31
4 PANEL DESCRIPTION . . . . .	9 ~ 13	11 - 4 Auto power off . . . . .	32
4 - 1 Switches and controls . . . . .	9	12 BEEP AND POWER SAVER . . . . .	33
4 - 2 Keyboard . . . . .	11	12 - 1 Beep tone ON/OFF . . . . .	33
4 - 3 Function display . . . . .	13	12 - 2 Power saver function . . . . .	33
5 BASIC OPERATION . . . . .	14 ~ 18	13 OPTIONAL UNIT OPERATION . . . . .	34 ~ 41
5 - 1 Setting a frequency . . . . .	14	13 - 1 Unit installations . . . . .	34
5 - 2 Receiving . . . . .	16	13 - 2 Pager function . . . . .	35
5 - 3 Transmitting . . . . .	16	13 - 3 Code squelch . . . . .	40
5 - 4 Repeater operation . . . . .	17	13 - 4 Subaudible tone encoder . . . . .	41
6 MEMORY OPERATION . . . . .	19 ~ 21	13 - 5 Tone squelch (CTCSS) . . . . .	41
6 - 1 Selecting a memory channel . . . . .	19	14 MAINTENANCE . . . . .	42 ~ 43
6 - 2 Writing a memory . . . . .	20	14 - 1 Troubleshooting . . . . .	42
6 - 3 Transferring a memory . . . . .	21	14 - 2 Backup battery . . . . .	43
6 - 4 Masking a memory . . . . .	21	14 - 3 Cleaning . . . . .	43
7 CALL CHANNEL OPERATION . . . . .	22	15 SPECIFICATIONS . . . . .	44
7 - 1 Calling up the call channel . . . . .	22	Schematic/block diagrams . . . . .	Separate
7 - 2 Transferring the call channel . . . . .	22		
7 - 3 Programming the call channel . . . . .	22		

---

## IMPORTANT

---

**READ ALL INSTRUCTIONS** carefully and completely before using the transceiver.

**SAVE THIS INSTRUCTION MANUAL** – This instruction manual contains important safety and operating instructions for the IC-2SAT/SET.

The use of non-Icom battery packs/chargers may impair transceiver performance and invalidate the warranty.

---

## OPERATING NOTES

---

**BE CAREFUL!** When transmitting for a long time with high output power, the rear panel may become hot.

When using the transceiver with the internal battery, we recommend operating with low output power. Battery power will be discharged quickly if the transceiver is operated continuously using high output power.

---

## CAUTIONS

---

**NEVER** connect the transceiver via the [DC 13.8 V] jack to an AC outlet or to a power source of more than 16 V DC. These connections will ruin the transceiver.

**NEVER** connect the transceiver to a power source using reverse polarity. This connection will harm internal transceiver circuitry.

**NEVER** allow children to touch the transceiver.

**NEVER** use a non-recommended charger for charging. Suggested chargers are described on p. 5.

**AVOID** using or placing the transceiver in areas with temperatures below  $-10^{\circ}\text{C}$  ( $+14^{\circ}\text{F}$ ) or above  $+60^{\circ}\text{C}$  ( $+140^{\circ}\text{F}$ ).

**AVOID** placing the transceiver in direct sunlight.

---

## FOREWORD

---

Thank you for purchasing the **IC-2SAT/SET** 144 MHz FM TRANSCEIVER. The **IC-2SAT/SET** is state-of-the-art handheld that fits comfortably in the palm of your hand and combines ease of use with multi-operational capability.

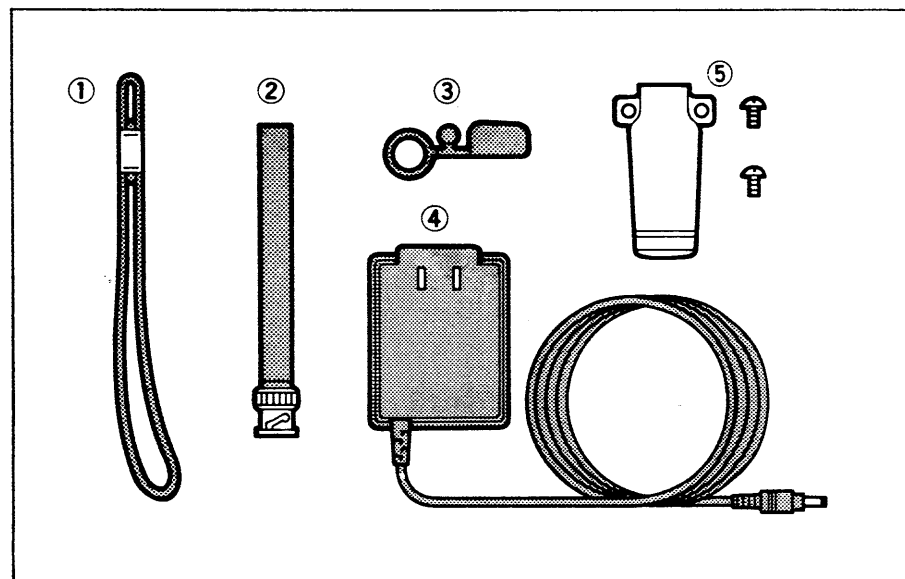
Features include keyboard selection, 5 W output power, a power saver function, auto power off, power on timer, built-in clock, 48 memory channels, 10 DTMF memory channels, priority watch, convenient scan functions, etc. In fact, the **IC-2SAT/SET** has just about everything you could ask of a transceiver. And all these functions are built into a small handheld designed for very easy operation.

To fully appreciate the capabilities of your new **IC-2SAT/SET** please read this instruction manual thoroughly before attempting operation. If you have any questions regarding the operation of the **IC-2SAT/SET**, feel free to contact your nearest authorized Icom Dealer or Service Center.

---

## UNPACKING

---



Accessories included with the IC-2SAT/SET:		QTY.
①	Handstrap . . . . .	1
②	Antenna . . . . .	1
③	Rainproof cap . . . . .	1
④	Wall charger* . . . . .	1
⑤	Belt clip and screws . . . . .	1 set

\* BC-74A for U.S.A. version  
BC-74V for for Australia version  
BC-73D for Europe and Italy versions  
BC-73E for Asia version

# 1 FEATURES

## SLIM AND UNBELIEVABLY COMPACT

Transceiver dimensions are just 49 mm (1.9'')W x 103 mm (4.1'')H x 35 mm (1.4'')D. And these dimensions include the internal battery! What's more, the rounded body design gives you a feeling of even smaller transceiver dimensions.

## CONVENIENT FREQUENCY SELECTION

With the IC-2SAT/SET you can immediately select a desired operating frequency using keyboard entry or by rotating the tuning control.

## EXTERNAL DC POWER JACK

Another Icom innovation. Even though the IC-2SAT/SET is incredibly small, we've equipped it with an external DC power jack. Operate the transceiver with either the internal battery, an external battery pack (optional) or an external power source such as a power supply, cigarette lighter socket in a vehicle, etc. No optional DC-DC converter is necessary. And battery charging can also be performed via this jack.

## 5 W OUTPUT POWER

It's hard to imagine 5 W of output power coming from such a small transceiver. Yet the IC-2SAT/SET achieves this when connected to a 13.8 V DC power source. Also, 3 selectable low output power levels give you amazing versatility when transmitting.

## AUTO POWER OFF AND POWER SAVER FUNCTIONS

The IC-2SAT/SET has an advanced power saver design for conserving battery pack power. When no signal is received or no switch is pushed for 5 seconds, the power saver function reduces current consumption to approx. 1/4. And after 60 minutes\*, power is automatically turned OFF by the auto power off function.

\* Selectable in 3 steps : 20, 40 and 60 min.

## 10 DTMF MEMORY CHANNELS

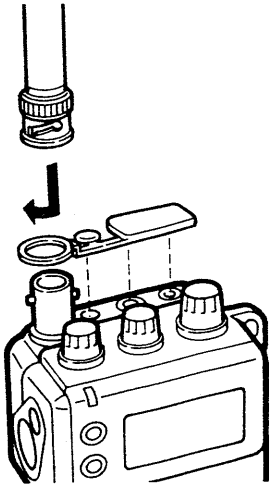
The transceiver has 10 DTMF memory channels which memorize a DTMF code of up to 15 digits. Now there's no need for you to remember each DTMF code when accessing repeaters, using telephone lines, etc.

## ADDITIONAL FEATURES

- 48 memory channels with masking function.
- 3 scan types: programmed, full and memory scans.
- Frequency skip and memory channel skip functions.
- Priority watch to check a particular frequency.
- Built-in clock and power on timer.
- Optional paging and code squelch functions.
- Dial select function for quick tuning selection.

## 2-1 Attaching accessories

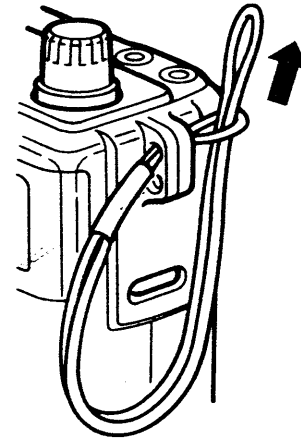
### ● ANTENNA AND RAINPROOF CAP



Attach the rainproof cap before connecting the antenna when desired.

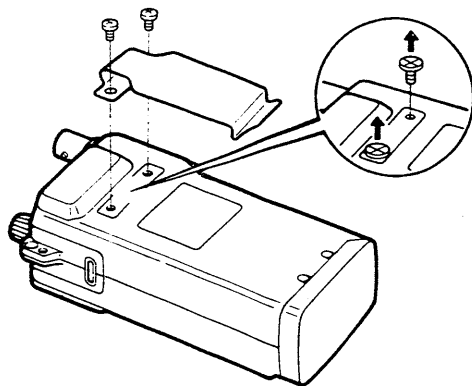
Insert the supplied antenna onto the antenna connector and twist the connector on the antenna as shown in the diagram at left.

### ● HANDSTRAP ATTACHMENT



The handstrap allows you to easily carry the transceiver. Attach the handstrap as shown in the diagram at left.

### ● BELT CLIP



The belt clip allows you to attach the transceiver to your belt.

Remove the plastic screws when attaching the belt clip.

### ● BOTTOM CAP REMOVAL



Push the bottom cap release button upwards, then slide the bottom cap to the right with the transceiver facing you.

To attach the bottom cap or an optional battery pack, mate the notched ends of the transceiver and bottom cap (or a battery pack) and slide until a click sound is heard.

## 2 PRE-OPERATION

### 2-2 Power requirement

#### (1) POWER SOURCE

Use any of the following power sources when operating your IC-2SAT/SET:

- Internal battery.
- 6 ~ 16 V DC external power source through the [DC 13.8 V] jack.
- Either optional battery packs BP-81 ~ BP-85 or six AA (R6) size dry batteries or NiCd batteries with an optional BP-90 BATTERY CASE.

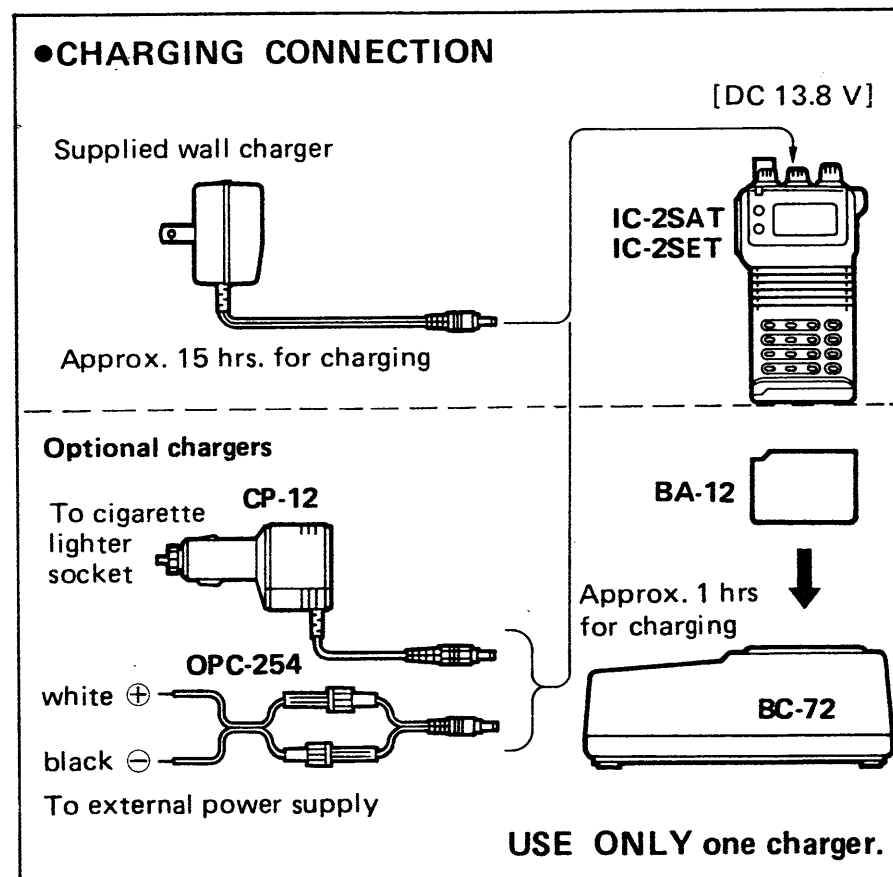
When attaching a battery pack or connecting an external power source, the internal battery is disconnected from the circuitry.

When the attached battery pack is discharged remove it and use the internal battery.

#### (2) CHARGING THE INTERNAL BATTERY

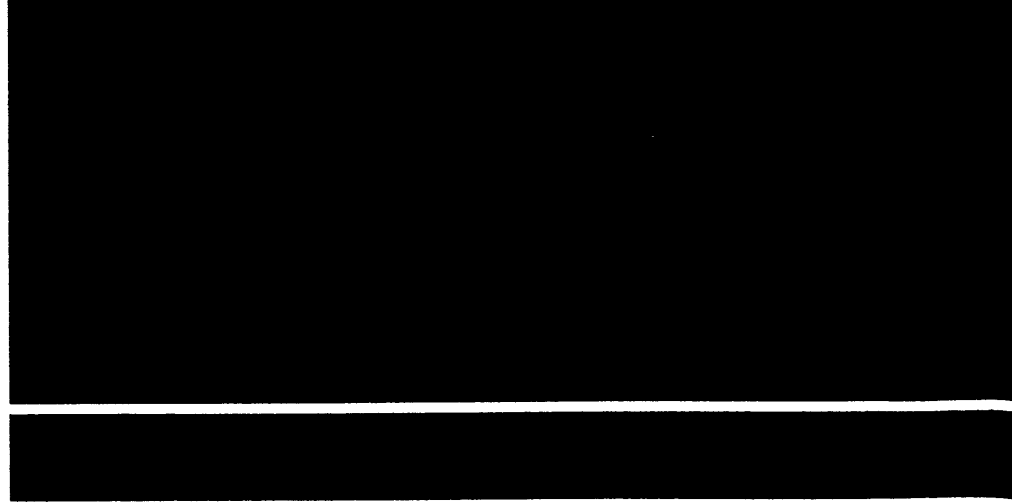
To charge the internal battery, connect the supplied wall charger to the [DC 13.8 V] jack on the transceiver, or use an optional BC-72 DESKTOP CHARGER.\* The BC-72 allows rapid charging.

\* An optional BA-12 BATTERY CHARGE ADAPTER is necessary when charging with the BC-72.





**Count on us!**



**A-5070S-1EX-③**  
Printed in Japan  
Copyright © 1989 by Icom Inc.

**Icom Inc.**  
6-9-16, Kamihigashi, Hirano-ku, Osaka 547, Japan

---