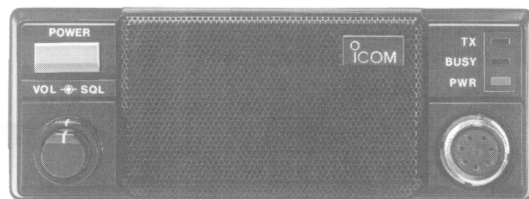


ICOM

INSTRUCTION MANUAL

VHF FM TRANSCEIVER
IC-V201



Icom Inc.

IMPORTANT SAFETY PRECAUTIONS

READ ALL INSTRUCTIONS carefully and completely before using the transceiver.

SAVE THIS INSTRUCTION MANUAL - This instruction manual contains important safety and operating instructions for the IC-V201.

NEVER connect the transceiver to an AC outlet.

NEVER connect the transceiver to a 24 V DC car battery. Only 12 V DC car batteries can be used.

NEVER allow children to touch the transceiver.

NEVER expose the transceiver to rain, snow or any liquids.

NEVER disassemble the transceiver. Incorrect reassembly may result in a fire hazard or electric shock.

NEVER place the transceiver where normal operation of the vehicle may be hindered or where it could cause bodily injury.

DO NOT place the transceiver in excessively humid or dusty environments, or in direct sunlight.

DO NOT use the transceiver when it is covered by objects which impede heat dispersal.

DO NOT use an accessory which Icom does not sell or recommend such as an extension power cable, as it could result in a fire hazard.

AVOID using or storing the transceiver in places with temperatures below -25°C or over $+60^{\circ}\text{C}$.

BE CAREFUL! The heatsink may become hot when operating the transceiver for long periods.

FOREWORD

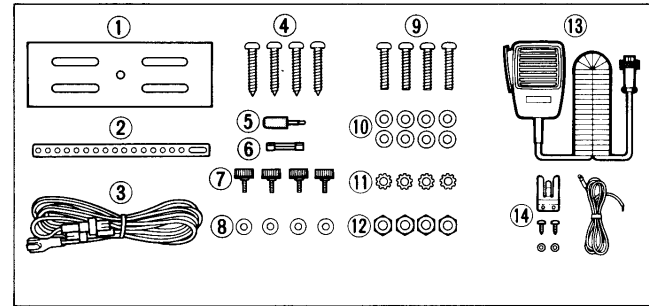
Thank you for choosing the **IC-V201 VHF FM TRANSCEIVER**. Icom uses the most advanced, state-of-the-art engineering concepts and the latest technology.

The **IC-V201** has the following features:

- Easy and simple operation
- Easy installation and connections
- Compact size
- 25 (10) W stable output power
- Non-interference receiving circuit

To fully appreciate the capabilities of the **IC-V201**, please read this instruction manual thoroughly. For further information, please feel free to contact your nearest Icom Dealer or Service Center.

UNPACKING

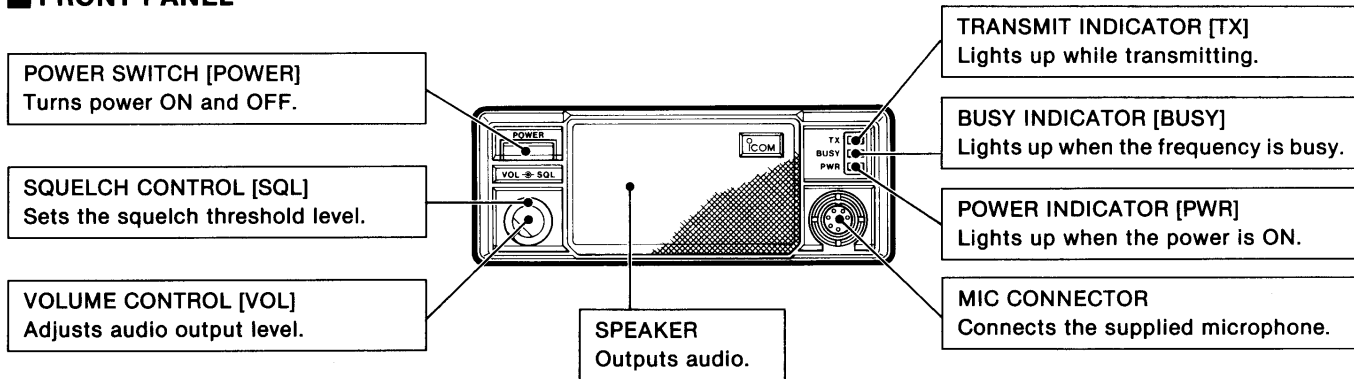


Accessories included with the IC-V201:	Qty.
① Mounting bracket.....	1
② Mounting support plate.....	1
③ DC power cable (OPC-044A).....	1
④ Self-tapping mounting screws (A0 5 × 16).....	4
⑤ External speaker plug (PJ-2240P).....	1
⑥ Fuse (10 A).....	1
⑦ Mounting bracket knobs (M4 × 8).....	4
⑧ Flat washers (M4).....	4
⑨ Mounting screws (M5 × 20).....	4
⑩ Flat washers (M5).....	8
⑪ Star washers (M5).....	4
⑫ Mounting nuts (M5).....	4
⑬ Microphone (HM-33).....	1
⑭ Microphone hanger.....	1 set

1

PANEL DESCRIPTION

FRONT PANEL



REAR PANEL

